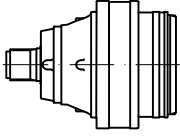
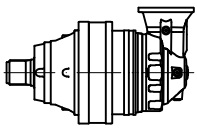


PD 111

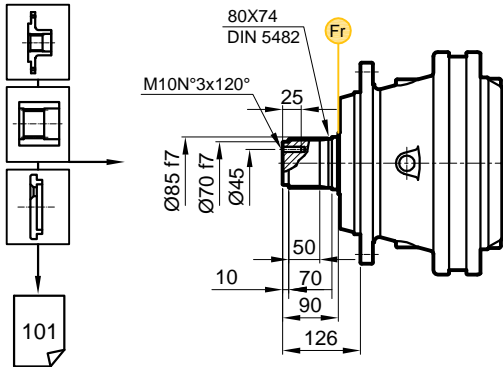
	i	T ₂ [Nm]				n _{1max} [min ⁻¹]	T _{2max} [Nm]	P _t [kW]
		n _{2xh}						
		10 000	20 000	50 000	100 000			
PD 111 S1	3.55	13800	12210	10390	9200	2000	24420	40
	4.28	11860	10500	8940	7910	2000	21000	40
	5.60	9220	8160	6940	6150	2000	16320	40
	6.75	7040	6230	5300	4690	2000	12460	40
	8.66	4980	4410	3750	3320	2000	8820	40
PD 111 S2	13.4	13800	12210	10390	9200	2800	24420	23
	16.1	11860	10500	8940	7910	2800	21000	23
	18.3	13800	12210	10390	9200	2800	24420	23
	22.1	11860	10500	8940	7910	2800	21000	23
	25.7	11860	10500	8940	7910	2800	21000	23
	28.9	9220	8160	6940	6150	2800	16320	23
	33.6	9220	8160	6940	6150	2800	16320	23
	40.5	7040	6230	5300	4690	2800	12460	23
	48.9	7040	6230	5300	4690	2800	12460	23
PD 111 S3	57.5	13800	12210	10390	9200	2800	24420	23
	62.8	13800	12210	10390	9200	2800	24420	15
	75.2	13800	12210	10390	9200	2800	24420	15
	82.1	1380	12210	10390	9200	2800	24420	15
	94.8	11860	10500	8940	7910	2800	21000	15
	109.2	11860	10500	8940	7910	2800	21000	15
	118.4	9220	8160	6940	6150	2800	16320	15
	123.9	11860	10500	8940	7910	2800	21000	15
	129.3	9220	8160	6940	6150	2800	16320	15
	143.9	11860	10500	8940	7910	2800	21000	15
	155.9	9220	8160	6940	6150	2800	16320	15
	173.5	11860	10500	8940	7910	2800	21000	15
	188.1	9220	8160	6940	6150	2800	16320	15
	195.2	9220	8160	6940	6150	2800	16320	15
	209.7	7040	6230	5300	4690	2800	12460	15
	226.8	9220	8160	6940	6150	2800	16320	15
	235.4	7040	6230	5300	4690	2800	12460	15
274.0	9220	8160	6940	6150	2800	16320	15	
PD 111 S4	330.3	7040	6230	5300	4690	2800	12460	11
	351.9	13800	12210	10390	9200	2800	24420	11
	388.5	13800	12210	10390	9200	2800	24420	11
	421.2	13800	12210	10390	9200	2800	24420	11
	440.8	11860	10500	8940	7910	2800	21000	11
	459.9	13800	12210	10390	9200	2800	24420	11
	507.7	13800	12210	10390	9200	2800	24420	11
	531.4	11860	10500	8940	7910	2800	21000	11
	554.3	13800	12210	10390	9200	2800	24420	11
	576.0	9220	8160	6940	6150	2800	16320	11
	611.9	11860	10500	8940	7910	2800	21000	11
	640.5	11860	10500	8940	7910	2800	21000	11
	724.4	9220	8160	6940	6150	2800	16320	11
	806.4	9220	8160	6940	6150	2800	16320	11
	907.3	9220	8160	6940	6150	2800	16320	11
	1008.8	11860	10500	8940	7910	2800	21000	11
	1093.6	9220	8160	6940	6150	2800	16320	11
	1270.0	9220	8160	6940	6150	2800	16320	11
	1530.9	9220	8160	6940	6150	2800	16320	11
1849.8	9220	8160	6940	6150	2800	16320	11	
2229.7	7040	6230	5300	4690	2800	12460	11	

PDA 111

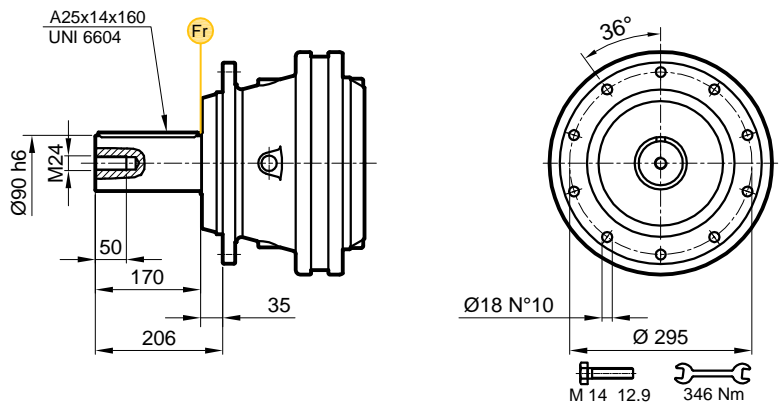
	i	T ₂ [Nm]				n _{1max} [min ⁻¹]	T _{2max} [Nm]	P _t [kW]
		n _{2xh}						
		10 000	20 000	50 000	100 000			
PDA 111 S2	12.2	13800	12210	10390	9200	2800	24420	23
	14.8	11860	10500	8940	7910	2800	21000	23
	19.3	9220	8160	6940	6150	2800	16320	23
	23.3	7040	6230	5300	4690	2800	12460	23
	30.4	9220	8160	6940	6150	2800	16320	23
	36.7	7040	6230	5300	4690	2800	12460	23
PDA 111 S3	46.4	13800	12210	10390	9200	2800	24420	15
	50.6	13800	12210	10390	9200	2800	24420	15
	61.0	11860	10500	8940	7910	2800	21000	15
	73.1	13800	12210	10390	9200	2800	24420	15
	88.8	11860	10500	8940	7910	2800	21000	15
	96.2	11860	10500	8940	7910	2800	21000	15
	116.0	9220	8160	6940	6150	2800	16320	15
	120.5	11860	10500	8940	7910	2800	21000	15
	125.7	9220	8160	6940	6150	2800	16320	15
	139.9	11860	10500	8940	7910	2800	21000	15
	157.5	9220	8160	6940	6150	2800	16320	15
	182.9	9220	8160	6940	6150	2800	16320	15
	221.0	9220	8160	6940	6150	2800	16320	15
	266.4	7040	6230	5300	4690	2800	12640	15
PDA 111 S4	140.0	13800	12210	10390	9200	2800	24420	11
	168.8	13800	12210	10390	9200	2800	24420	11
	184.3	11860	10500	8940	7910	2800	21000	11
	203.5	11860	10500	8940	7910	2800	21000	11
	230.9	13800	12210	10390	9200	2800	24420	11
	265.9	11860	10500	8940	7910	2800	21000	11
	278.3	11860	10500	8940	7910	2800	21000	11
	301.7	13800	12210	10390	9200	2800	24420	11
	320.5	11860	10500	8940	7910	2800	21000	11
	350.0	11860	10500	8940	7910	2800	21000	11
	379.4	9220	8160	6940	6150	2800	16320	11
	418.8	9220	8160	6940	6150	2800	16320	11
	457.3	9220	8160	6940	6150	2800	16320	11
	510.3	9220	8160	6940	6150	2800	16320	11
	551.9	9220	8160	6940	6150	2800	16320	11
	665.2	9220	8160	6940	6150	2800	16320	11
	803.8	9220	8160	6940	6150	2800	16320	11
968.9	7040	6230	5300	4690	2800	12460	11	

PD/PDA 111

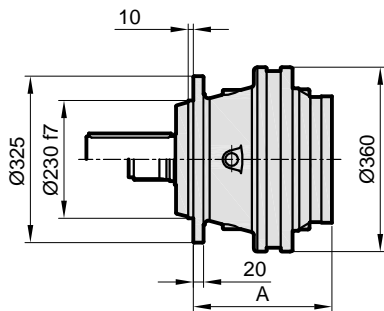
FS



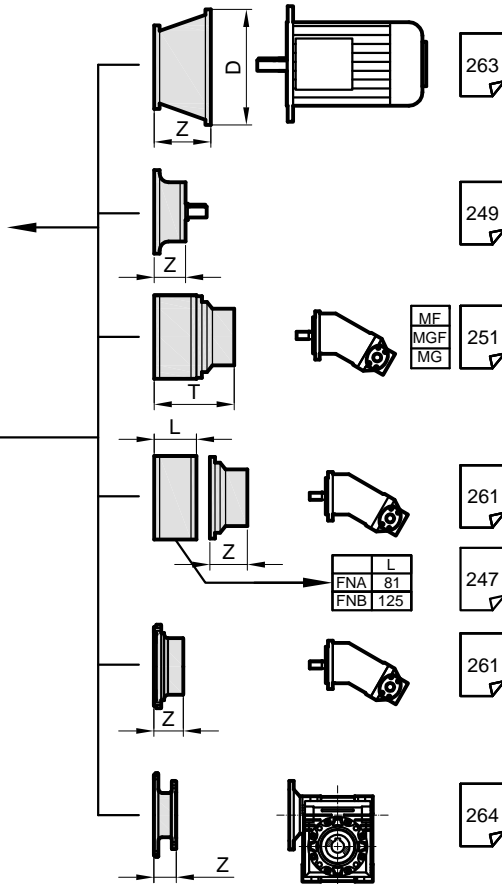
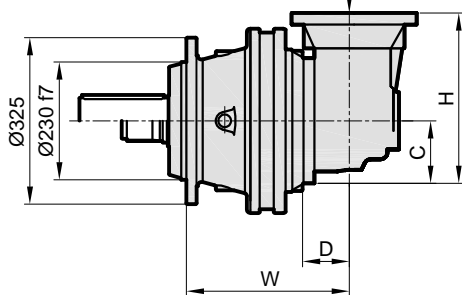
FC



PD..



PDA..

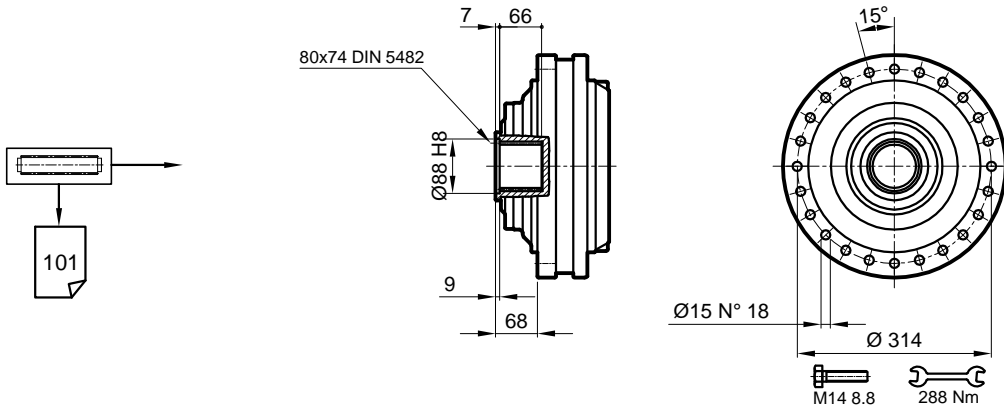


Stage	W	D	C	H	A	PD F	PDA F
S1	-	-	-	-	225	97	-
S2	313	88	140	380	296,5	113	134
S3	398	88	140	380	357,5	121	153
S4	432,5	75	93	252	405,5	127	136

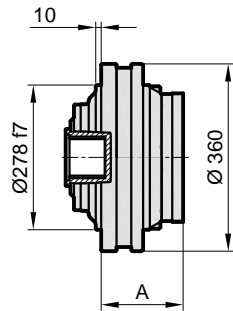
	H71	H80-90		H100		H132		H160-180		H200		H225		H250-280		
Stage	D	Z	D	Z	D	Z	D	Z	D	Z	D	Z	D	Z	D	Z
S1	-	-	-	-	-	-	-	-	350	120	400	148	450	148	550	183
S2	185	32	200	60	250	71	300	104	350	120	400	148	450	148	-	-
S3	185	32	200	60	250	71	300	104	350	120	-	-	-	-	-	-
S4	185	32	200	60	250	71	300	104	350	120	-	-	-	-	-	-

PD/PDA 111

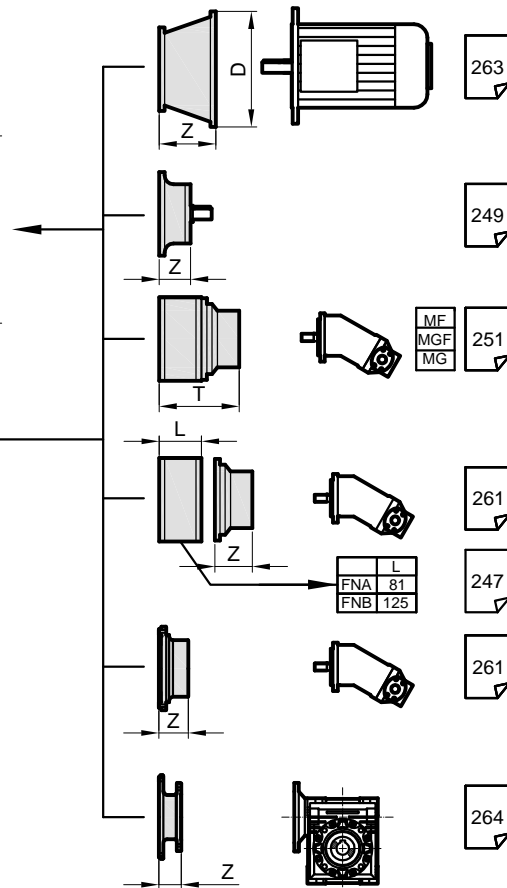
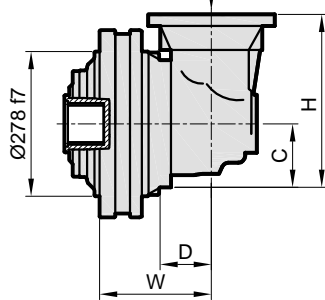
S



PD..



PDA..

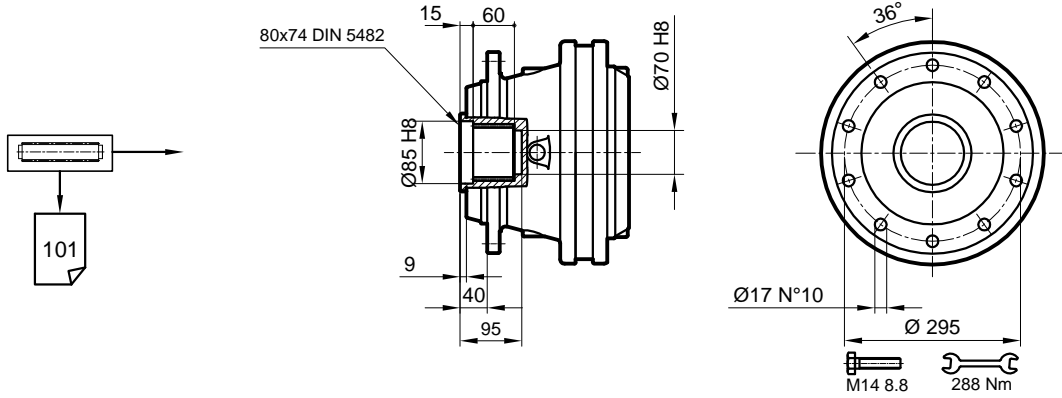


Stage	W	D	C	H	A	PD S	PDA S
S1	-	-	-	-	112	65	-
S2	200	88	140	380	183,5	81	102
S3	285	88	140	380	244,5	89	121
S4	319,5	75	93	252	292,5	95	104

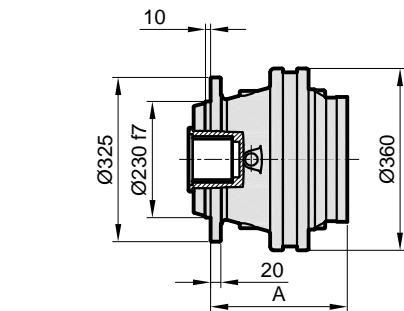
	H71	H80-90		H100		H132		H160-180		H200		H225		H250-280		
Stage	D	Z	D	Z	D	Z	D	Z	D	Z	D	Z	D	Z	D	Z
S1	-	-	-	-	-	-	-	-	350	120	400	148	450	148	550	183
S2	185	32	200	60	250	71	300	104	350	120	400	148	450	148	-	-
S3	185	32	200	60	250	71	300	104	350	120	-	-	-	-	-	-
S4	185	32	200	60	250	71	300	104	350	120	-	-	-	-	-	-

PD/PDA 111

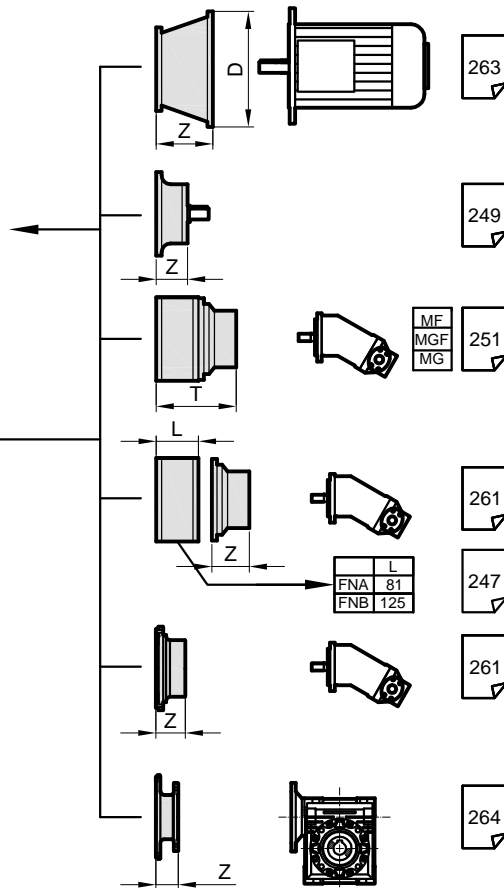
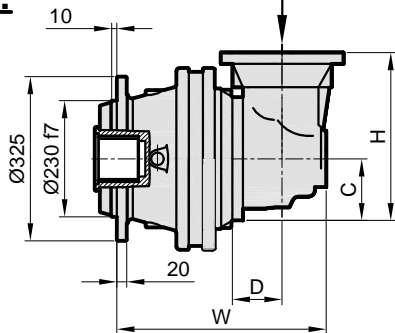
SF



PD..



PDA..

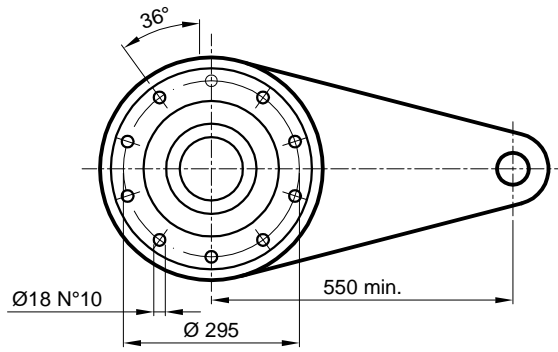
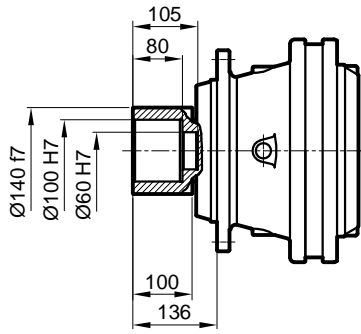
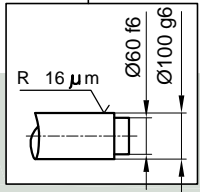
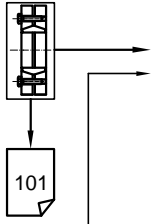


Stage	W	D	C	H	A	PD SF	PDA SF
S1	-	-	-	-	225	102	-
S2	313	88	140	380	296,5	118	139
S3	398	88	140	380	357,5	126	158
S4	432,5	75	93	252	405,5	132	141

	H71		H80-90		H100		H132		H160-180		H200		H225		H250-280	
Stage	D	Z	D	Z	D	Z	D	Z	D	Z	D	Z	D	Z	D	Z
S1	-	-	-	-	-	-	-	-	350	120	400	148	450	148	550	183
S2	185	32	200	60	250	71	300	104	350	120	400	148	450	148	-	-
S3	185	32	200	60	250	71	300	104	350	120	-	-	-	-	-	-
S4	185	32	200	60	250	71	300	104	350	120	-	-	-	-	-	-

PD/PDA 111

SDF

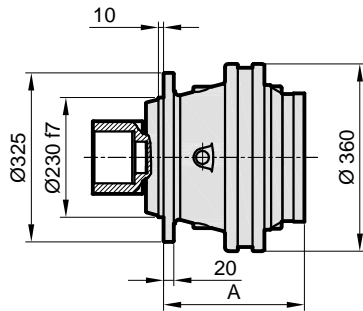


M14 8.8 288 Nm

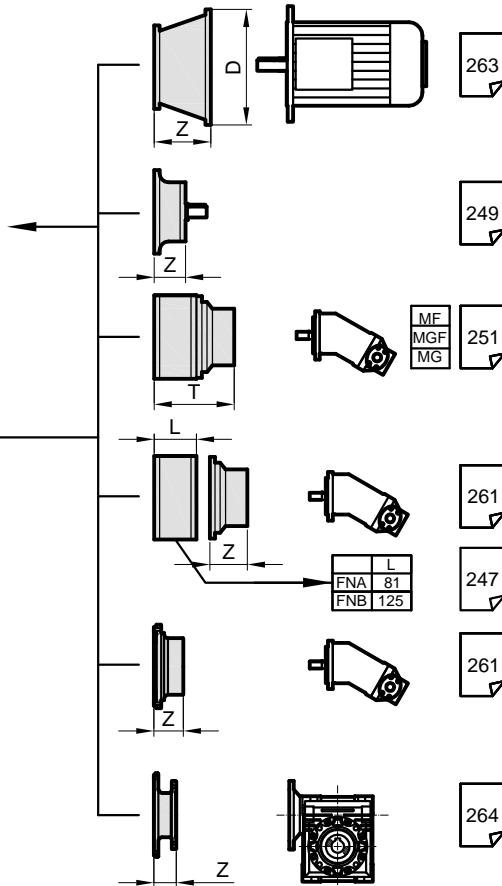
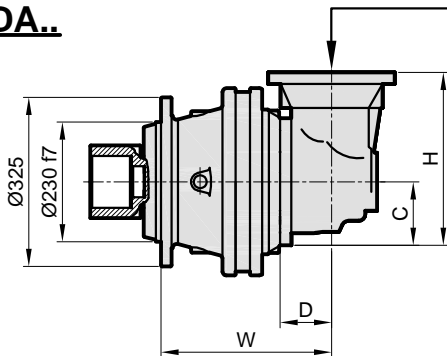
$M_{max} = 17.6 \text{ kNm}$

Belirtilen maksimum tork sadece PDS tarafından verilen sıkma bileziği ile mümkündür.
The maximum torque indicated is valid only with shrink discs supplied by PDS.
Das dargestellte, maximale Drehmoment gilt nur mit von PDS.

PD..



PDA..

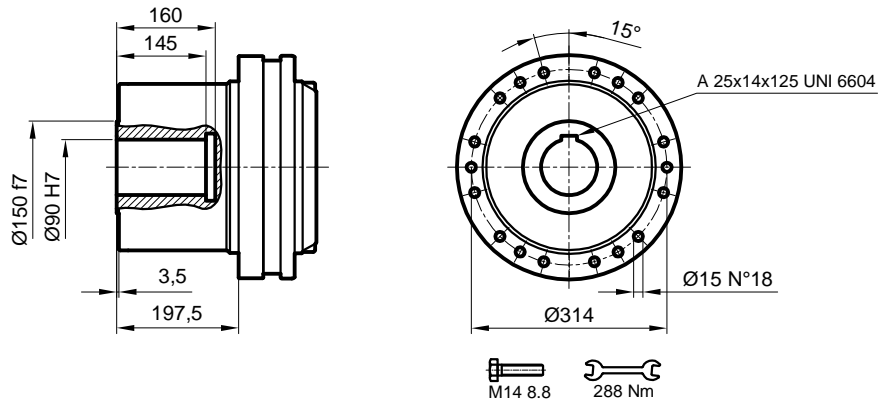


Stage	W	D	C	H	A	PD		PDA	
						SDF	⚙️	SDF	⚙️
S1	-	-	-	-	225	102	-	-	
S2	313	88	140	380	296,5	118	139		
S3	398	88	140	380	357,5	126	158		
S4	432,5	75	93	252	405,5	132	141		

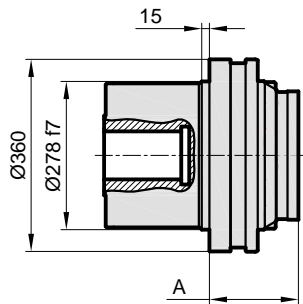
	H71		H80-90		H100		H132		H160-180		H200		H225		H250-280	
Stage	D	Z	D	Z	D	Z	D	Z	D	Z	D	Z	D	Z	D	Z
S1	-	-	-	-	-	-	-	-	350	120	400	148	450	148	550	183
S2	185	32	200	60	250	71	300	104	350	120	400	148	450	148	-	-
S3	185	32	200	60	250	71	300	104	350	120	-	-	-	-	-	-
S4	185	32	200	60	250	71	300	104	350	120	-	-	-	-	-	-

PD/PDA 111

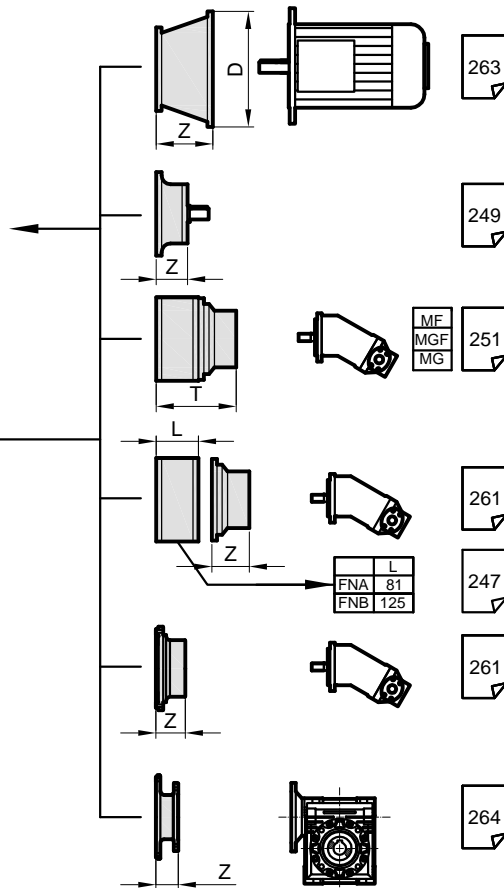
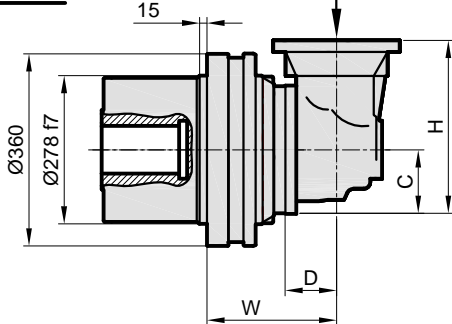
DKM



PD..



PDA..



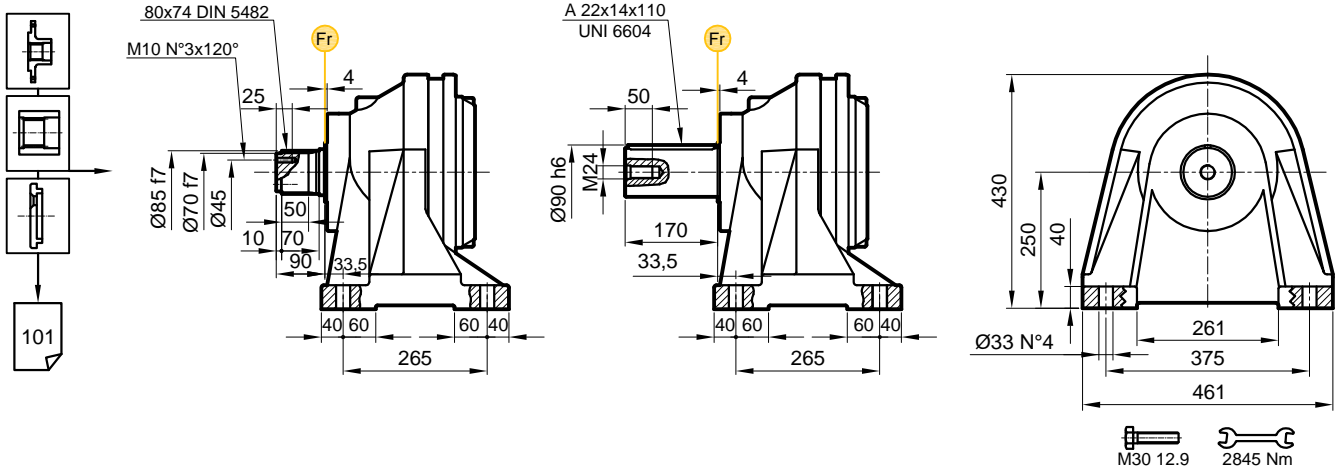
Stage	W	D	C	H	A	PD S	PDA S
S1	-	-	-	-	122	65	-
S2	210	88	140	380	193	81	102
S3	295	88	140	380	255	89	121
S4	330	75	93	252	302	95	104

	H71	H80-90	H100	H132	H160-180	H200	H225	H250-280
Stage	D Z	D Z	D Z	D Z	D Z	D Z	D Z	D Z
S1	- -	- -	- -	- -	350 120	400 148	450 148	550 183
S2	185 32	200 60	250 71	300 104	350 120	400 148	450 148	- -
S3	185 32	200 60	250 71	300 104	350 120	- -	- -	- -
S4	185 32	200 60	250 71	300 104	350 120	- -	- -	- -

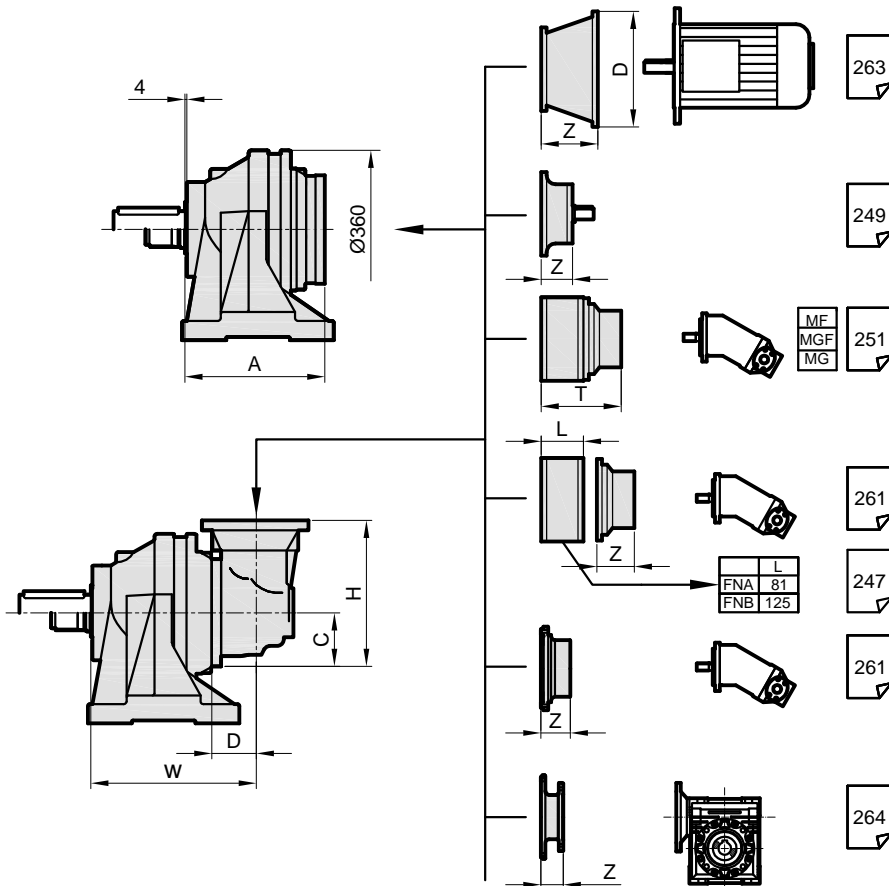
PD/PDA 111

FVS

FVC



PD..



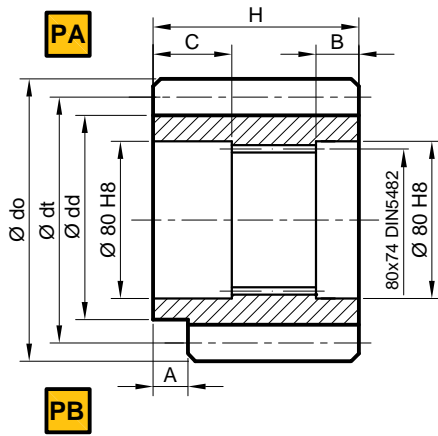
PDA..

Stage	W	D	C	H	A	PD FVC	PDA FVC
S1	-	-	-	-	272	147	-
S2	360	88	140	380	343.5	163	184
S3	445	88	140	380	404.5	171	203
S4	479.5	75	93	252	452.5	177	186

	H71	H80-90		H100		H132		H160-180		H200		H225		H250-280		
Stage	D	Z	D	Z	D	Z	D	Z	D	Z	D	Z	D	Z	D	Z
S1	-	-	-	-	-	-	-	-	350	120	400	148	450	148	550	183
S2	185	32	200	60	250	71	300	104	350	120	400	148	450	148	-	-
S3	185	32	200	60	250	71	300	104	350	120	-	-	-	-	-	-
S4	185	32	200	60	250	71	300	104	350	120	-	-	-	-	-	-

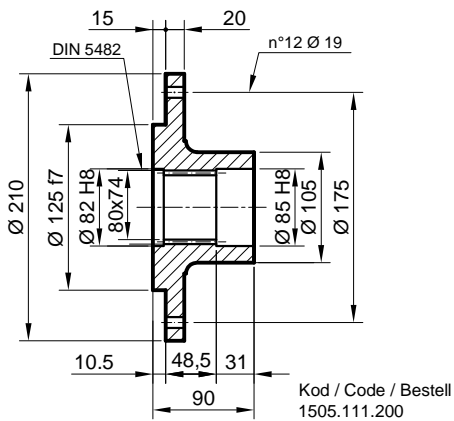
PD/PDA 111

P Pinyon / Pinion / Ritzel



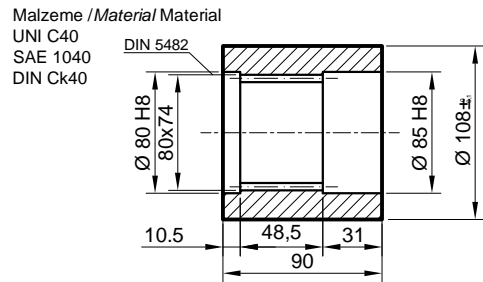
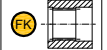
	m	z	x	dt	dd	do	H	A	B	C	Malzeme / Material	Kod Code / Bestell
PA	10	12	0	120	95	140	90	0	10	31	38NiCrMo4	1501.111.001
PA	10	14	0	140	95	160	90	0	10	31	38NiCrMo4	1501.111.002
PB	12	14	2.5	168	135.5	194.5	90	25	25	31	39NiCrMo3	1502.111.001

FL Flan / Flange / Flansch



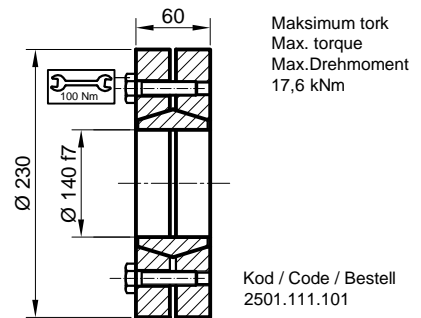
Kod / Code / Bestell
1505.111.200

FK Frezeli Kaplin / Spined bushing Innenverzahnte Buchse



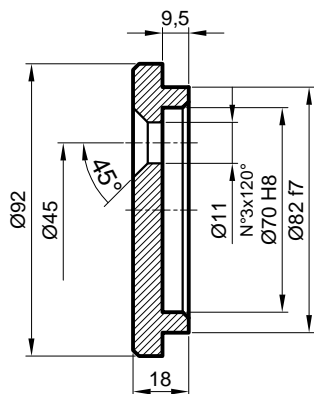
Kod / Code / Bestell
1503.111.100

SB Sikma Bilezi i / Shrink disc Schrumpfscheibe



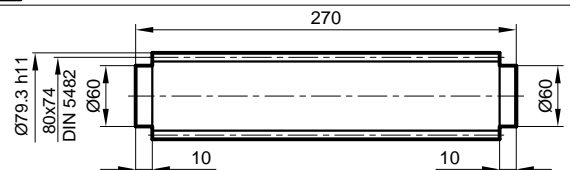
Kod / Code / Bestell
2501.111.101

SP Sabitleme Pulu / Stop bottom plate / Endscheibe



Kod / Code / Bestell
1507.111.250

FM Frezeli Mil / Splined rod Außenverzahnte Welle



Malzeme / Material
Material
UNI 39NiCrMo3
Sertleştirilmiş ve Temperlenmiş
Hardened and Tempered
Vergütet
Kod / Code / Bestell
1509.111.260

PD/PDA 111

RADYAL YÜK(Fr)

A a ıdaki diyagramlar radyal yükleri ve k faktörlerini arzu edilen $n_2 \times h$ de erlerinde verir.

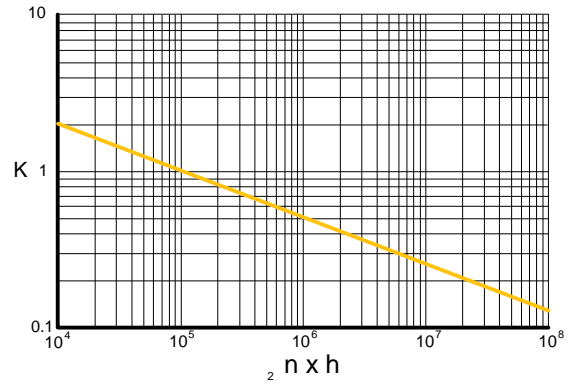
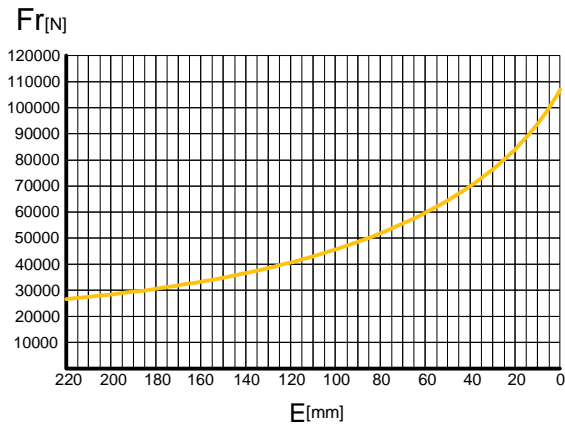
RADIAL LOADS(Fr)

The following curves show the radial loads and the K factors to obtain the required $n_2 \times h$ value.

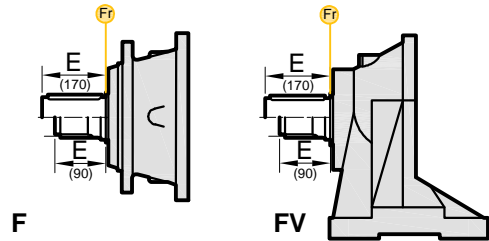
RADIALLAST (Fr)

In den nachstehenden Diagrammen ist die Radiallast und der Koeffizient K dargestellt und kann mit dem gewünschten Wert $n_2 \times h$ verglichen werden.

F-FV



	$n \times h$				
	10^5	10^4	10^6	10^7	10^8
F	Fr		Fr . K		
FV	Fr . 0,75		Fr . K . 0,75		



AKS YEL YÜKLER (Fa)

Tablodaki aksiyel yük de erleri çıkı ı tipi ve tatbik edilen yük yönünde verilmi tir.

AXIAL LOADS (Fa)

The values of the axial loads in the table refer to the output versions and load directions of application.

AXIALLAST (Fa)

Die dargestellten Werte der Axiallast basieren auf der Version und der applizierten Lastrichtung.

Fa [N]	F	FV	← →
	40000	40000	
65000	65000		

