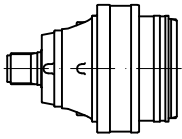
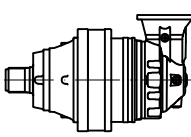


# PD 139

	i	T <sub>2</sub> [Nm]				n <sub>1max</sub> [min <sup>-1</sup> ]	T <sub>2max</sub> [Nm]	P <sub>t</sub> [kW]
		n <sub>2xh</sub>						
		10 000	20 000	50 000	100 000			
<b>PD 139 S1</b>	3.84	635700	572300	498200	450000	100	743990	160
<b>PD 139 S2</b>	15.03	635700	572300	498200	450000	200	743990	110
	19.00	635700	572300	498200	450000	200	743990	110
<b>PD 139 S3</b>	59.42	635700	572300	498200	450000	1200	743990	93
	75.00	635700	572300	498200	450000	1200	743990	93
	90.15	635700	572300	498200	450000	1200	743990	93
	96.06	635700	572300	498200	450000	1200	743990	93
	113.85	635700	572300	498200	450000	1200	743990	93
<b>PD 139 S4</b>	211.27	635700	572300	498200	450000	2000	743990	70
	254.66	635700	572300	498200	450000	2000	743990	70
	266.79	635700	572300	498200	450000	2000	743990	70
	332.76	635700	572300	498200	450000	2000	743990	70
	362.67	635700	572300	498200	450000	2000	743990	70
	420.19	635700	572300	498200	450000	2000	743990	70
	506.48	635700	572300	498200	450000	2000	743990	70
	648.38	635700	572300	498200	450000	2000	743990	70
<b>PD 139 S5</b>	798.14	635700	572300	498200	450000	2800	743990	49
	871.50	635700	572300	498200	450000	2800	743990	49
	1050.47	635700	572300	498200	450000	2800	743990	49
	1100.50	635700	572300	498200	450000	2800	743990	49
	1214.84	635700	572300	498200	450000	2800	743990	49
	1483.87	635700	572300	498200	450000	2800	743990	49
	1600.73	635700	572300	498200	450000	2800	743990	49
	1846.29	635700	572300	498200	450000	2800	743990	49
	2082.20	635700	572300	498200	450000	2800	743990	49
	2176.00	635700	572300	498200	450000	2800	743990	49
	2398.76	635700	572300	498200	450000	2800	743990	49
	2629.33	635700	572300	498200	450000	2800	743990	49
	3046.40	635700	572300	498200	450000	2800	743990	49
	3227.51	635700	572300	498200	450000	2800	743990	49
	3722.61	635700	572300	498200	450000	2800	743990	49
3890.31	635700	572300	498200	450000	2800	743990	49	
4700.79	635700	572300	498200	450000	2800	743990	49	
5571.30	635700	572300	498200	450000	2800	743990	49	

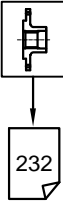
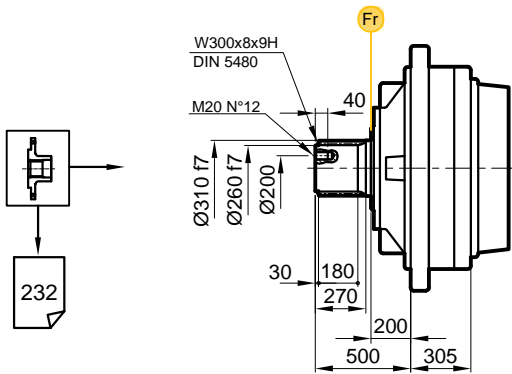
# PDA 139



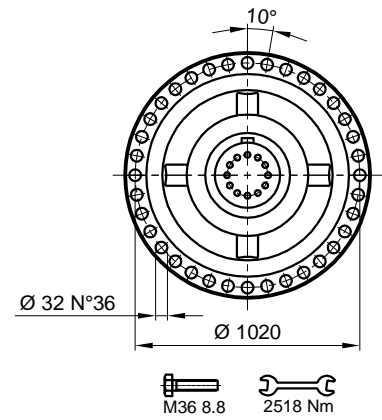
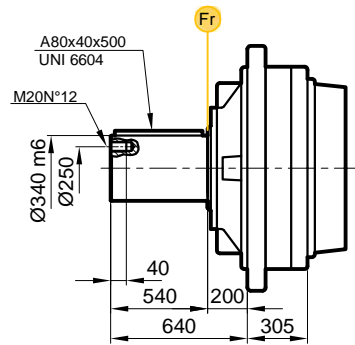
	i	T <sub>2</sub> [Nm]				n <sub>1max</sub> [min <sup>-1</sup> ]	T <sub>2max</sub> [Nm]	P <sub>t</sub> [kW]
		n <sub>2xh</sub>						
		10 000	20 000	50 000	100 000			
<b>PDA 139 S4</b>	276.91	635700	572300	498200	450000	2500	743990	57
	295.03	635700	572300	498200	450000	2500	743990	57
	349.67	635700	572300	498200	450000	2500	743990	57
	448.27	635700	572300	498200	450000	2500	743990	57
	531.28	635700	572300	498200	450000	2500	743990	57
<b>PDA 139 S5</b>	648.91	635700	572300	498200	450000	2500	743990	50
	782.17	635700	572300	498200	450000	2500	743990	50
	830.72	635700	572300	498200	450000	2500	743990	50
	985.94	635700	572300	498200	450000	2500	743990	50
	1113.90	635700	572300	498200	450000	2500	743990	50
	1245.00	635700	572300	498200	450000	2500	743990	50
	1426.00	635700	572300	498200	450000	2500	743990	50
	1593.83	635700	572300	498200	450000	2500	743990	50
	1869.12	635700	572300	498200	450000	2500	743990	50
	1960.90	635700	572300	498200	450000	2500	743990	50
	2396.17	635700	572300	498200	450000	2500	743990	50
	2839.90	635700	572300	498200	450000	2500	743990	50
	3025.79	635700	572300	498200	450000	2500	743990	50
	3586.13	635700	572300	498200	450000	2500	743990	50

# PD/PDA 139

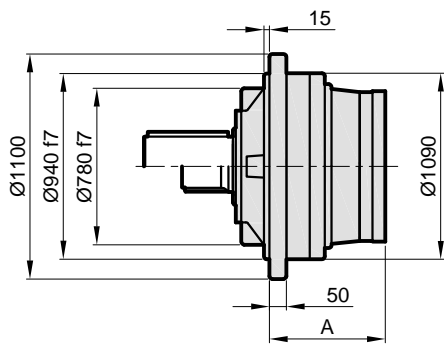
**FS**



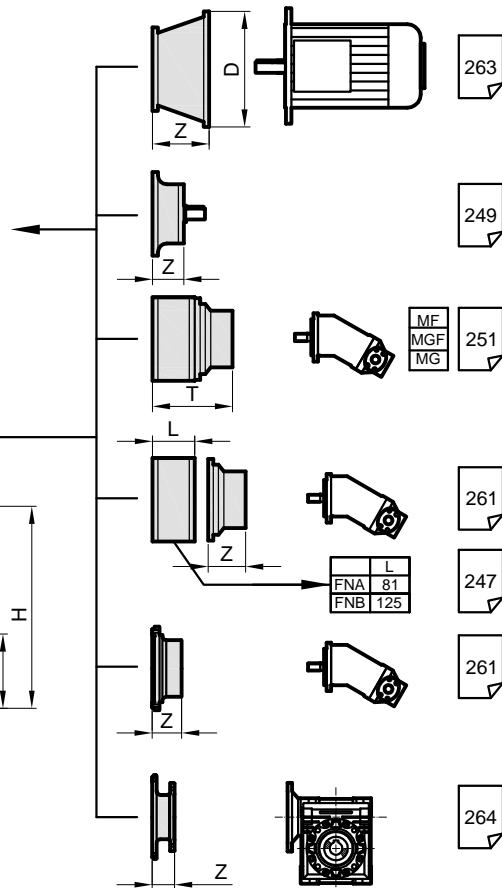
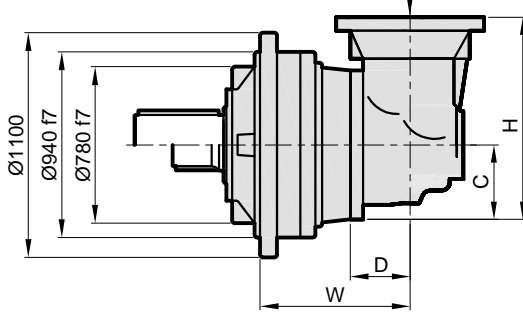
**FC**



**PD..**



**PDA..**

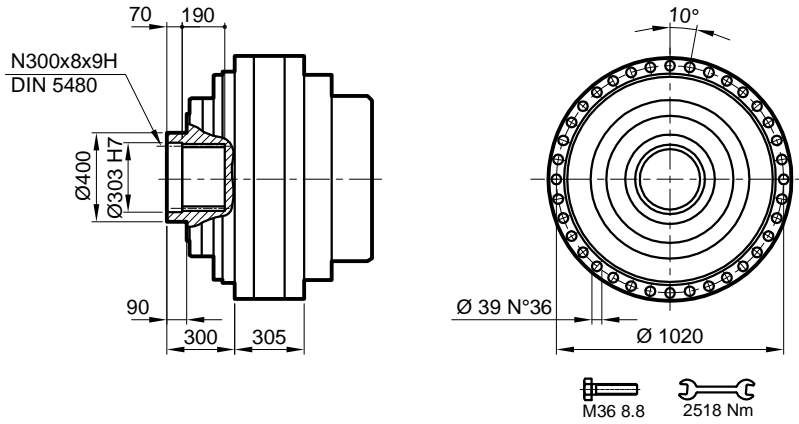


Stage	W	D	C	H	A	PD		PDA	
						F	U	F	U
S3	-	-	-	-	904	4053	4135		
S4	1174	88	235	550	1053	4069	4175		

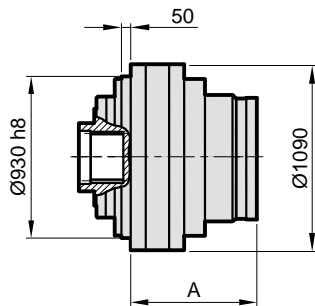
	H71	H80-90		H100		H132		H160-180		H200		H225		H250-280		
Stage	D	Z	D	Z	D	Z	D	Z	D	Z	D	Z	D	Z	D	Z
S4	-	-	-	-	-	-	-	-	-	-	400	148	450	148	550	183
S5	-	-	-	-	-	-	300	104	350	120	400	148	450	148	-	-

# PD/PDA 139

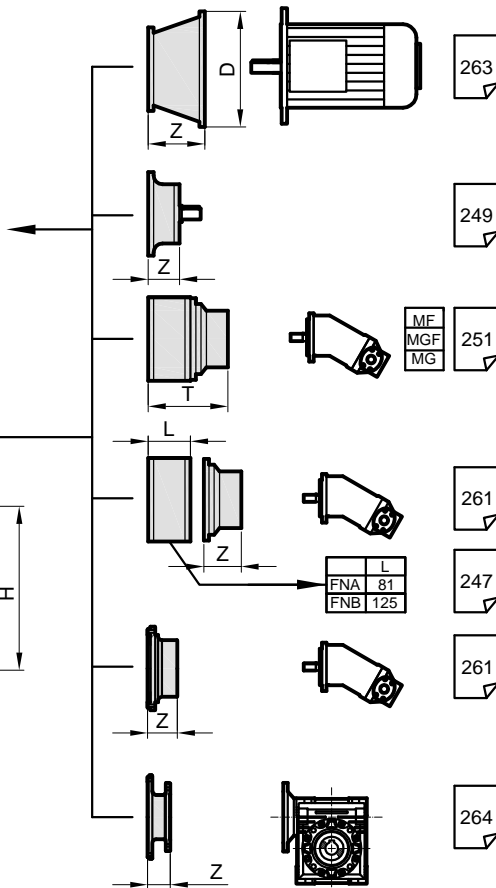
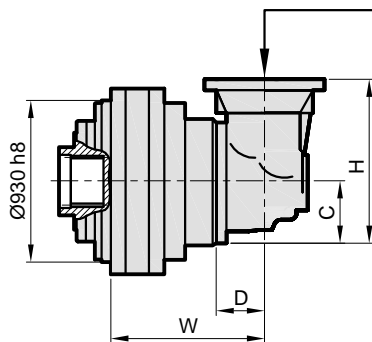
S



**PD..**



**PDA..**

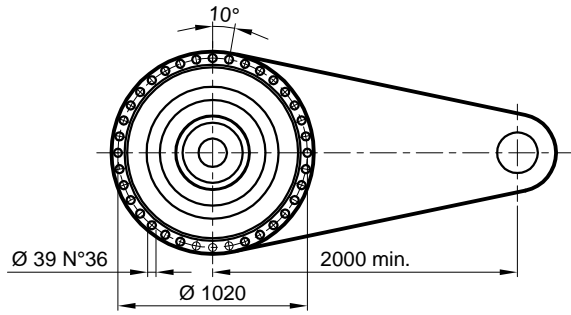
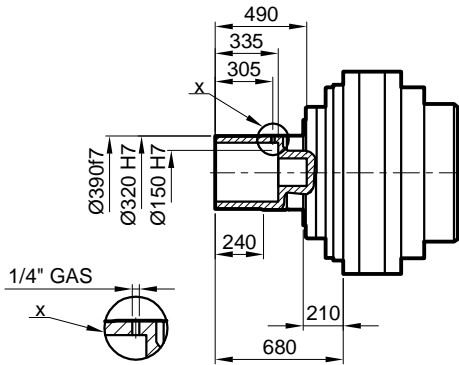
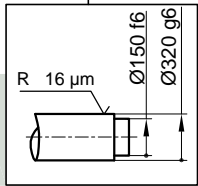
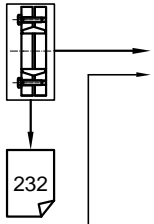


Stage	W	D	C	H	A	PD S	PDA S
S1	-	-	-	-	-	2850	-
S2	-	-	-	-	903,5	3650	-
S3	-	-	-	-	1124,5	3844	-
S4	1305,5	88	235	550	1231,5	3903	3985
S5	1366,5	88	235	550	1303	3919	4025

	H71	H80-90		H100		H132		H160-180		H200		H225		H250-280		
Stage	D	Z	D	Z	D	Z	D	Z	D	Z	D	Z	D	Z	D	Z
S4	-	-	-	-	-	-	-	-	-	-	400	148	450	148	550	183
S5	-	-	-	-	-	-	300	104	350	120	400	148	450	148	-	-

# PD/PDA 139

**SD**

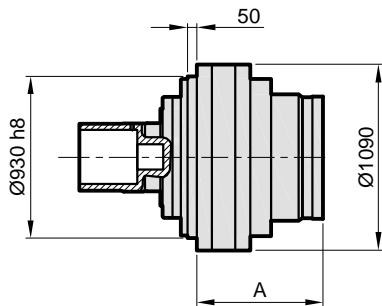


M36 8.8  
2518 Nm

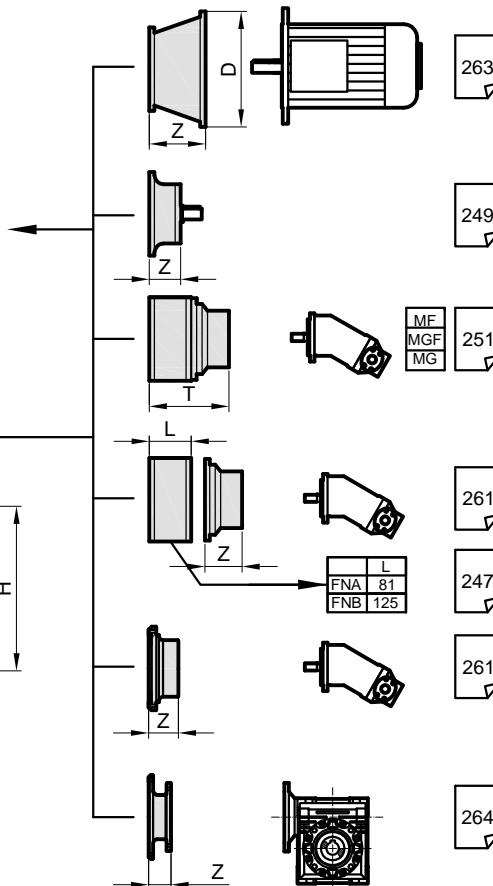
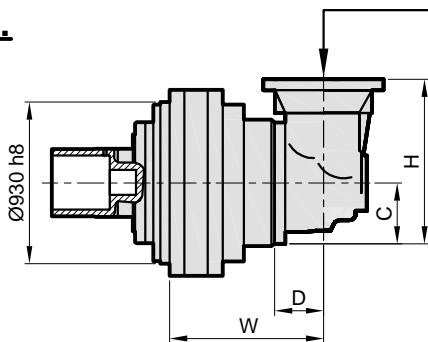
$M_{max} = 814.5 \text{ kNm}$

Belirtilen maksimum tork sadece PDS tarafından verilen sıkma bileziği ile mümkündür.  
The maximum torque indicated is valid only with shrink discs supplied by PDS.  
Das dargestellte, maximale Drehmoment gilt nur mit von PDS.

**PD..**



**PDA..**

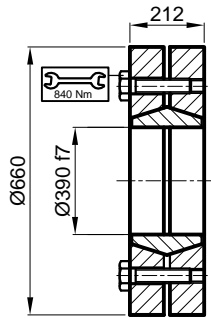


Stage	W	D	C	H	A	PD		PDA	
						SD	SD	SD	SD
S1	-	-	-	-	-	2907	-	-	-
S2	-	-	-	-	903,5	3707	-	-	-
S3	-	-	-	-	1124,5	3901	-	-	-
S4	1305,5	88	235	550	1231,5	3960	4042	-	-
S5	1366,5	88	235	550	1303	3976	4082	-	-

Stage	H71		H80-90		H100		H132		H160-180		H200		H225		H250-280		
	D	Z	D	Z	D	Z	D	Z	D	Z	D	Z	D	Z	D	Z	
S4	-	-	-	-	-	-	-	-	-	400	148	450	148	550	183	-	-
S5	-	-	-	-	-	-	300	104	350	120	400	148	450	148	-	-	-

# PD/PDA 139

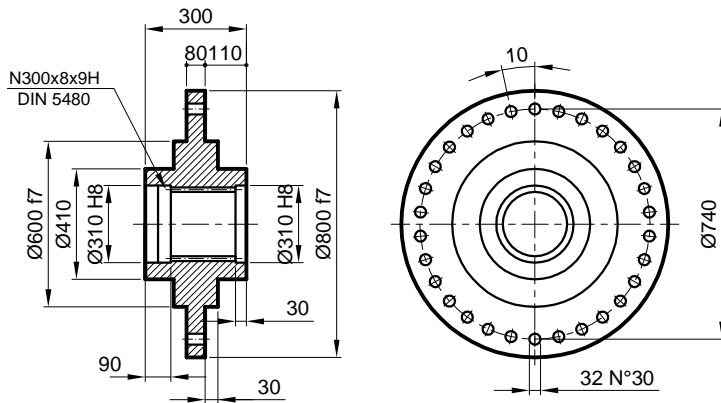
**SB** Sıkma Bileziği / Shrink disc  
Schrumpfscheibe



Maksimum tork  
Max. torque  
Max. Drehmoment  
814,5 kNm

Kod / Code / Bestell  
2501.139.001

**FL** Flan / Flange / Flansch



Kod / Code / Bestell  
1505.139.200