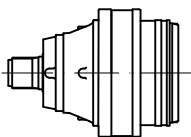
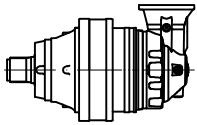


# PD 141

	i	T <sub>2</sub> [Nm]				n <sub>1max</sub> [min <sup>-1</sup> ]	T <sub>2max</sub> [Nm]	P <sub>t</sub> [kW]
		n <sub>2xh</sub>						
		10 000	20 000	50 000	100 000			
<b>PD 141 S1</b>	3.84	730300	657500	572300	540000	100	854750	160
<b>PD 141 S2</b>	14.13	730300	657500	572300	540000	200	854750	110
	19.00	730300	657500	572300	540000	200	854750	110
<b>PD 141 S3</b>	55.88	730300	657500	572300	540000	1200	854750	93
	75.00	730300	657500	572300	540000	1200	854750	93
	96.06	730300	657500	572300	540000	1200	854750	93
<b>PD 141 S4</b>	198.69	730300	657500	572300	540000	2000	854750	70
	266.79	730300	657500	572300	540000	2000	854750	70
	306.60	730300	657500	572300	540000	2000	854750	70
	362.67	730300	657500	572300	540000	2000	854750	70
	411.67	730300	657500	572300	540000	2000	854750	70
	482.89	730300	657500	572300	540000	2000	854750	70
	537.92	730300	657500	572300	540000	2000	854750	70
	648.38	730300	657500	572300	540000	2000	854750	70
	768.46	730300	657500	572300	540000	2000	854750	70
	1026.58	730300	657500	572300	540000	2000	854750	70
<b>PD 141 S5</b>	1214.84	730300	657500	572300	540000	2800	854750	49
	1326.50	730300	657500	572300	540000	2800	854750	49
	1496.00	730300	657500	572300	540000	2800	854750	49
	1616.87	730300	657500	572300	540000	2800	854750	49
	1736.35	730300	657500	572300	540000	2800	854750	49
	1873.78	730300	657500	572300	540000	2800	854750	49
	1958.22	730300	657500	572300	540000	2800	854750	49
	2127.00	730300	657500	572300	540000	2800	854750	49
	2218.92	730300	657500	572300	540000	2800	854750	49
	2403.72	730300	657500	572300	540000	2800	854750	49
	2779.25	730300	657500	572300	540000	2800	854750	49
	3046.40	730300	657500	572300	540000	2800	854750	49
	3500.95	730300	657500	572300	540000	2800	854750	49
	3899.91	730300	657500	572300	540000	2800	854750	49
	4610.73	730300	657500	572300	540000	2800	854750	49
5571.30	730300	657500	572300	540000	2800	854750	49	

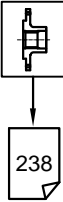
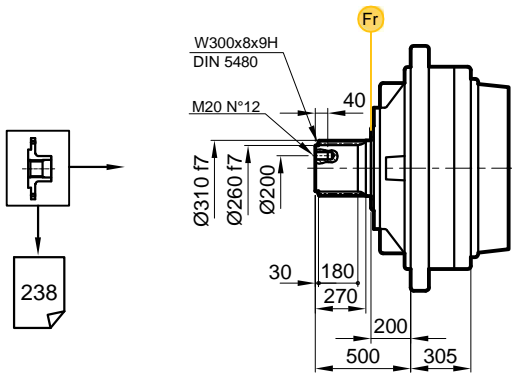
# PDA 141



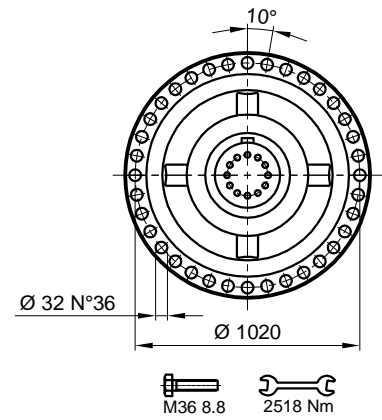
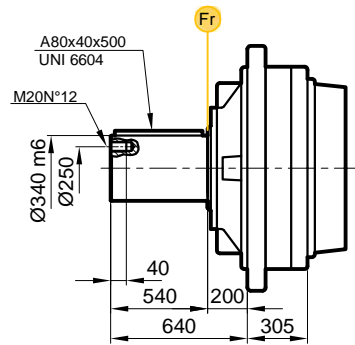
	i	T <sub>2</sub> [Nm]				n <sub>1max</sub> [min <sup>-1</sup> ]	T <sub>2max</sub> [Nm]	P <sub>t</sub> [kW]
		n <sub>2xh</sub>						
		10 000	20 000	50 000	100 000			
<b>PDA 141 S5</b>	610.27	730300	657500	572300	540000	2500	854750	50
	735.60	730300	657500	572300	540000	2500	854750	50
	819.42	730300	657500	572300	540000	2500	854750	50
	927.24	730300	657500	572300	540000	2500	854750	50
	987.70	730300	657500	572300	540000	2500	854750	50
	1113.90	730300	657500	572300	540000	2500	854750	50
	1246.00	730300	657500	572300	540000	2500	854750	50
	1426.00	730300	657500	572300	540000	2500	854750	50
	1500.69	730300	657500	572300	540000	2500	854750	50
	1692.44	730300	657500	572300	540000	2500	854750	50
	1960.90	730300	657500	572300	540000	2500	854750	50
	2166.62	730300	657500	572300	540000	2500	854750	50
	2510.29	730300	657500	572300	540000	2500	854750	50
	3025.79	730300	657500	572300	540000	2500	854750	50
	3586.13	730300	657500	572300	540000	2500	854750	50

# PD/PDA 141

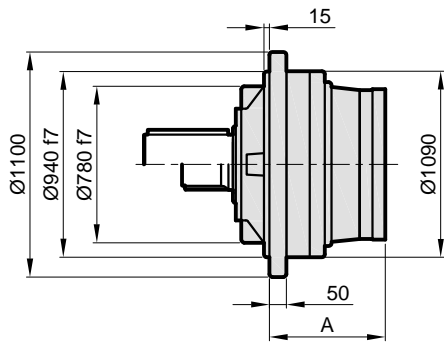
**FS**



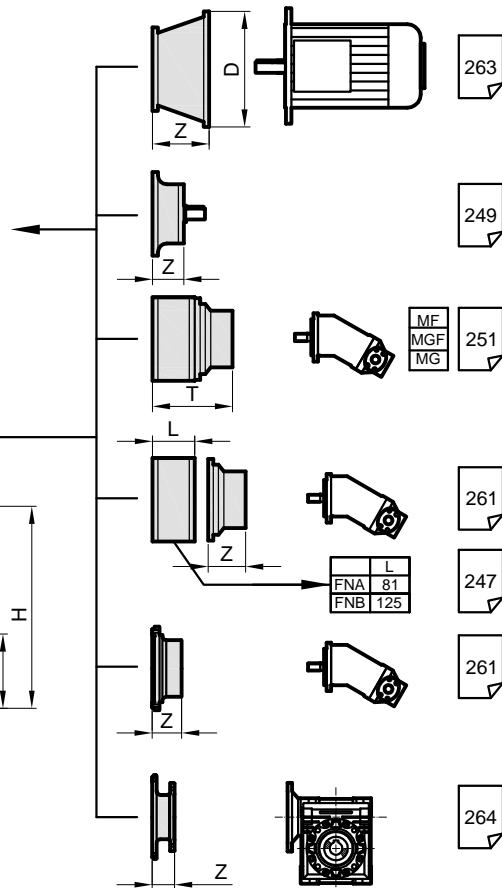
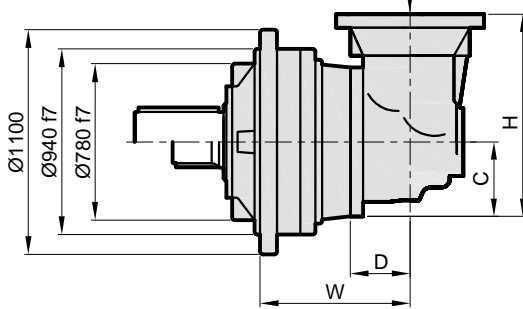
**FC**



**PD..**



**PDA..**

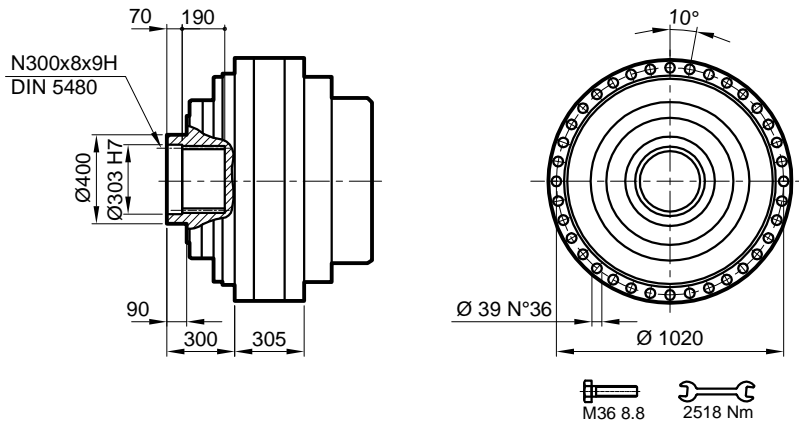


Stage	W	D	C	H	A	PD F	PDA F
S3	-	-	-	-	904	4053	4135
S4	1174	88	235	550	1053	4069	4175

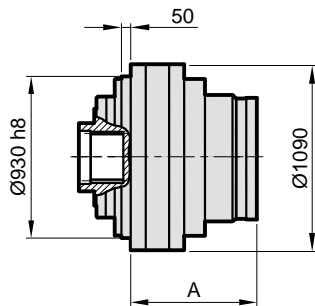
	H71	H80-90	H100	H132	H160-180	H200	H225	H250-280
Stage	D	Z	D	Z	D	Z	D	Z
S4	-	-	-	-	-	-	400	148
S5	-	-	-	-	-	-	400	148

# PD/PDA 141

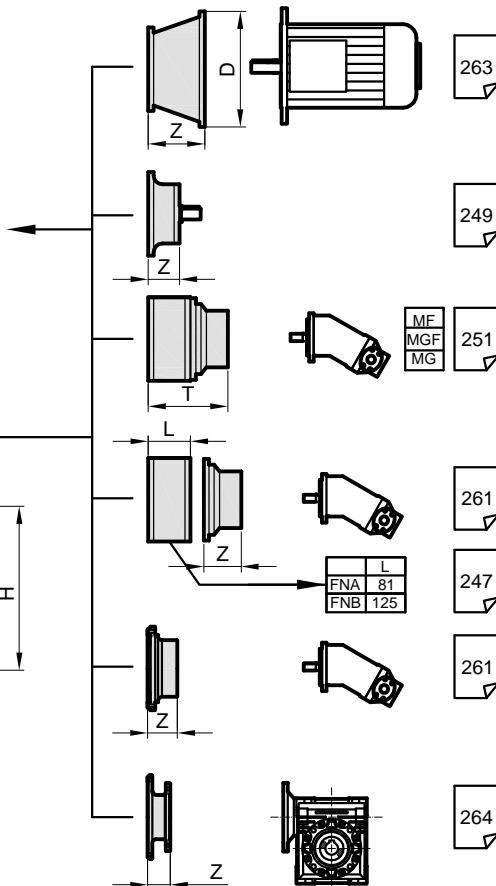
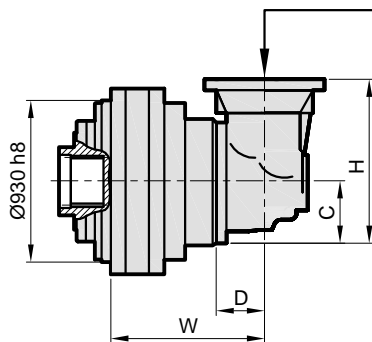
S



**PD..**



**PDA..**

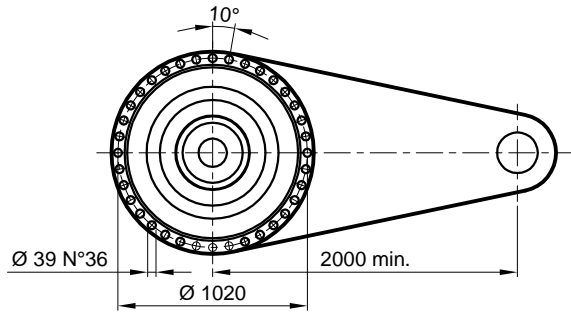
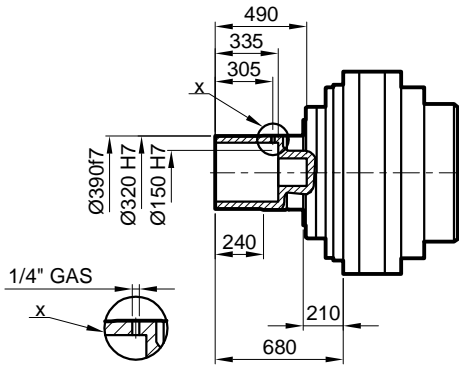
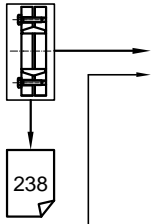


Stage	W	D	C	H	A	PD S	PDA S
S1	-	-	-	-	-	2850	-
S2	-	-	-	-	903,5	3650	-
S3	-	-	-	-	1124,5	3844	-
S4	-	-	-	-	1231,5	3903	-
S5	1366,5	88	235	550	1303	3919	4025

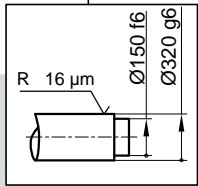
	H71	H80-90		H100		H132		H160-180		H200		H225		H250-280		
Stage	D	Z	D	Z	D	Z	D	Z	D	Z	D	Z	D	Z	D	Z
S4	-	-	-	-	-	-	-	-	-	-	400	148	450	148	550	183
S5	-	-	-	-	-	-	-	-	-	-	400	148	450	148	-	-

# PD/PDA 141

**SD**



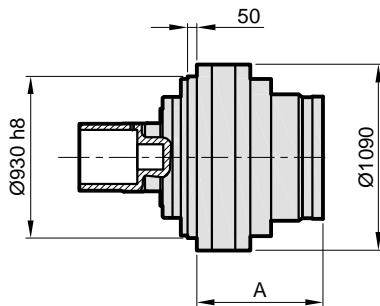
M36 8.8      2518 Nm



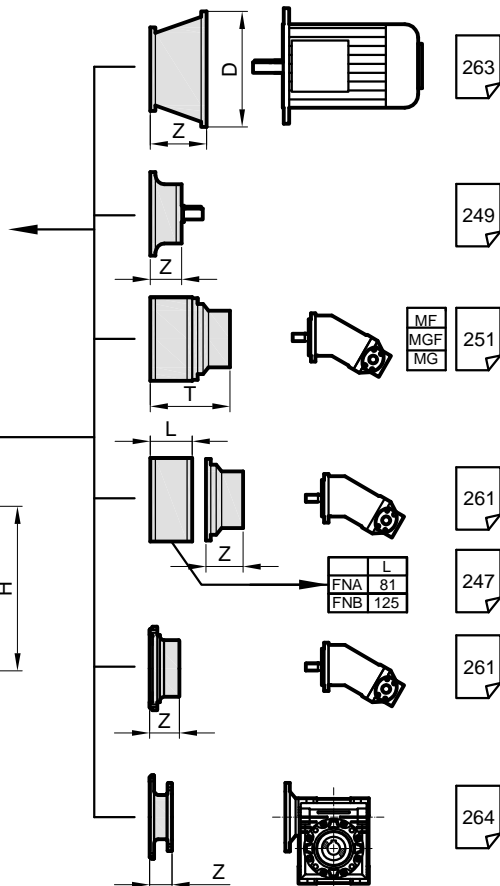
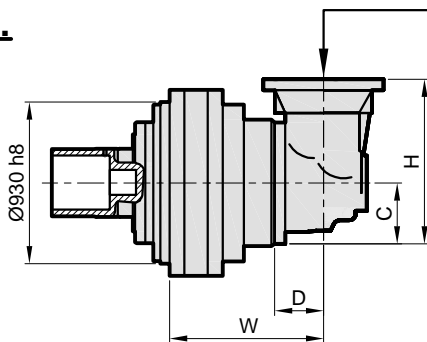
$M_{max} = 814.5 \text{ kNm}$

Belirtilen maksimum tork sadece PDS tarafından verilen sıkma bileziği ile mümkündür.  
The maximum torque indicated is valid only with shrink discs supplied by PDS.  
Das dargestellte, maximale Drehmoment gilt nur mit von PDS.

**PD..**



**PDA..**



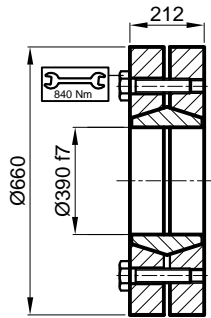
Stage	W	D	C	H	A	PD		PDA	
						SD	SD	SD	SD
S1	-	-	-	-	-	2907	-	-	-
S2	-	-	-	-	903,5	3707	-	-	-
S3	-	-	-	-	1124,5	3901	-	-	-
S4	-	-	-	-	1231,5	3960	-	-	-
S5	1366,5	88	235	550	1303	3976	4082	-	-

	H71		H80-90		H100		H132		H160-180		H200		H225		H250-280	
Stage	D	Z	D	Z	D	Z	D	Z	D	Z	D	Z	D	Z	D	Z
S4	-	-	-	-	-	-	-	-	-	-	400	148	450	148	550	183
S5	-	-	-	-	-	-	-	-	-	-	400	148	450	148	-	-

# PD/PDA 141

**SB**

Sıkma Bileziği / Shrink disc  
Schrumpfscheibe

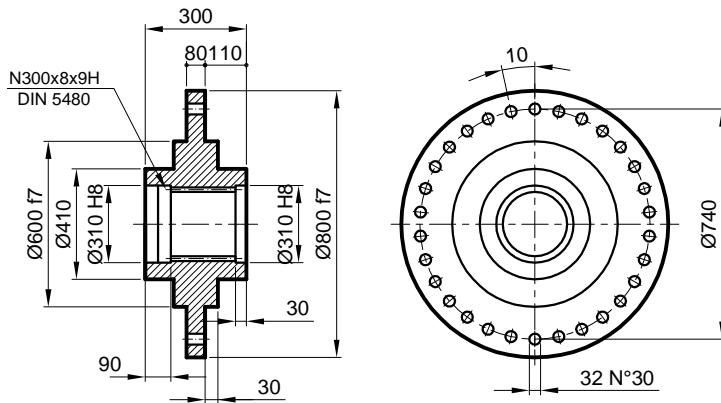


Maksimum tork  
Max. torque  
Max. Drehmoment  
814,5 kNm

Kod / Code / Bestell  
2501.139.001

**FL**

Flan / Flange / Flansch



Kod / Code / Bestell  
1505.139.200