





## FREN MODÜLÜ MODULER BRAKES BREMSMODULE

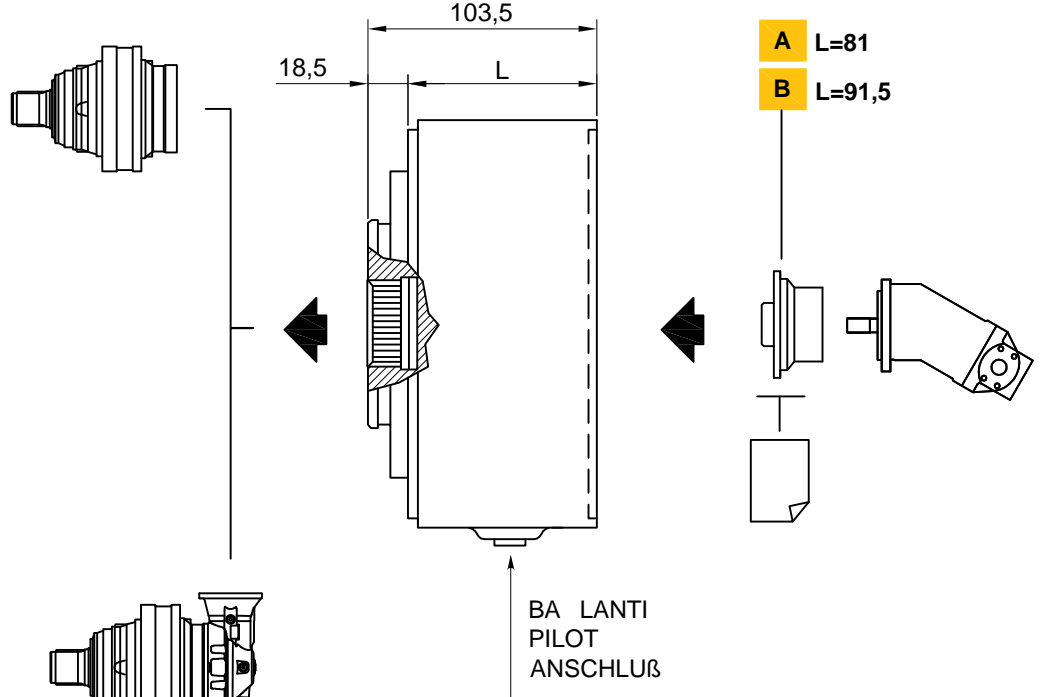
PDS Planet Redüktörleri hidrolik frenlerle ve ya banyolu disklerle donatılmış olup frenleme için özel olarak dizayn edilmiştir. Frenleme için kullanılan yağlama, planet dişlileri için kullanılan yağlamadan bağımsızdır. Böylelikle yağ koyma sırasında diş yüzeyinde bulunan girişten aynı zamanda frenleri de yağlayabilmek mümkündür. Yağ olarak ISO VG 32 kullanmanızı öneririz. (hidrolik yağ kullanmakta mümkündür)


PDS planetary reduction units are equipped with hydraulic brakes with oilbath disks, expressly designed for static or parking braking. The lubrication for the brakes is separated from the lubrication of the planetary gear units. Thus, during the lubricant inlet phase, it is necessary to pour the fluid also into the brake through the proper hole mounted on its casing. We suggest to use lubricant ISO VG 32 (however, hydraulic lubricants can be used as well).

Für die PDS - Planetengetriebe stehen hydraulische Federdruck-Lamellenbremsen zur Verfügung. Diese sind ausschliesslich als statische Haltebremsen ausgelegt. Die Lamellen liegen im Ölbad, das vom Ölkreislauf des Getriebes getrennt ist. Deshalb ist beim Befüllen darauf zu achten, dass der Schmierstoff direkt in den Bremskörper gegeben wird. In der Regel können Hydrauliköle verwendet werden. Empfohlener Schmierstoff: ISO VG 32.

	FNA
PD 101	1-2-3-4
PD 103	1-2-3-4
PD 105	1-2-3-4
PD 107	1-2-3-4
PD 109	2-3-4
PD 111	2-3-4
PD 113	2-3-4
PD 115	3-4
PD 117	3-4
PD 119	3-4
PD 121	3-4
PD 123	3-4
PD 125	4
PD 127	4
PD 129	4-5
PD 131	5
PD 133	5
PD 135	5
PD 137	5
PD 139	—
PD 141	—

	FNA
PD 101	2-3-4
PD 103	2-3-4
PD 105	2-3-4
PD 107	2-3-4
PD 109	2-3-4
PD 111	2-3-4
PD 113	2-3-4
PD 115	3-4
PD 117	3-4
PD 119	3-4
PD 121	3-4
PD 123	3-4
PD 125	4
PD 127	4
PD 129	5
PD 131	5
PD 133	5
PD 135	5
PD 137	—
PD 139	—
PD 141	—



FNA							
	Cf <sub>smin</sub> [Nm]	P <sub>amin</sub> [bar]	Kod / Code Bestell	P <sub>max</sub> [bar]	Ya / Oil / Oil [lt]		Kg
					V1	B5	
FNA 10	90	15	1801.110.001	320	0,4	0,2	14
FNA 16	140	21	1801.110.002				
FNA 25	220	17	1801.110.003				
FNA 35	330	21	1801.110.004				
FNA 45	430	28	1801.110.005				
FNA 55	550	34	1801.110.006				


N.B.: 1-2-3-4-5 numaralı planet dişli redüktör kademelerine bakınız.

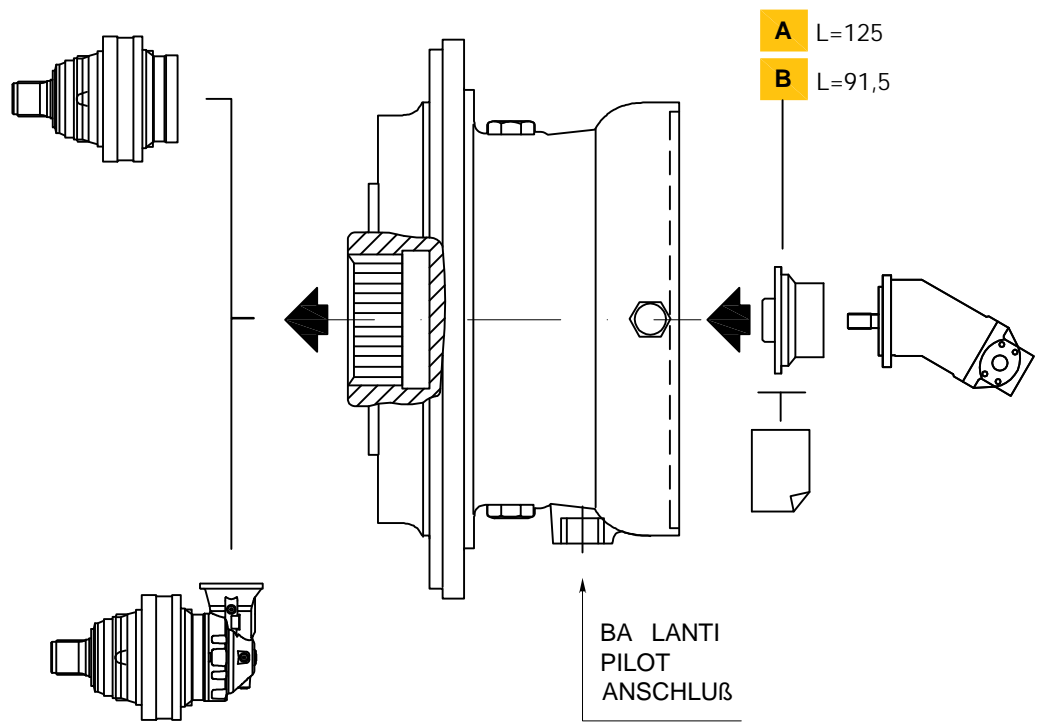
N.B.: Numbers 1-2-3-4-5 refer to the number of stages of the planetary gear unit.


N.B.: Die Ziffern 1-2-3-4-5 geben die Anzahl der Getriebestufen an.

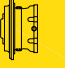
# FREN MODÜLÜ MODULER BRAKES BREMSMODULE



	FNB
PD 101	—
PD 103	—
PD 105	1
PD 107	1
PD 109	1-2
PD 111	1-2
PD 113	1-2
PD 115	2-3
PD 117	2-3
PD 119	2-3
PD 121	2-3
PD 123	2-3
PD 125	3-4
PD 127	3-4
PD 129	3-4
PD 131	3-4
PD 133	3-4
PD 135	4-5
PD 137	4-5
PD 139	4-5
PD 141	4-5



	FNB
PD 101	—
PD 103	—
PD 105	—
PD 107	—
PD 109	—
PD 111	—
PD 113	—
PD 115	2
PD 117	2
PD 119	—
PD 121	2-3
PD 123	2
PD 125	3
PD 127	3
PD 129	4
PD 131	4
PD 133	4
PD 135	4
PD 137	4-5
PD 139	4-5
PD 141	5

FNB							
	Cfs <sub>min</sub> [Nm]	Pa <sub>min</sub> [bar]	Kod / Code Bestell	P <sub>max</sub> [bar]	Ya / Oil / Oil [lt]		Kg
					V1	B5	
FNB 25	250	20	1802.110.001	320	0,3	21	0,6
FNB 40	400	30	1802.110.002				
FNB 63	650	45	1802.110.003				
FNB 80	800	33	1802.110.004				
FNB 100	1000	40	1802.110.005				
FNB 125	1250	40	1802.110.006				
FNB 160	1500	40	1802.110.007				
FNB 180	1700	45	1802.110.008				

N.B.: 1-2-3-4-5 numaralı planet di li redüktör kademelerine bakınız.

N.B.: Numbers 1-2-3-4-5 refer to the number of stages of the planetary gear unit.

N.B.: Die Ziffern 1-2-3-4-5 geben die Anzahl der Getriebestufen an.







## FREN LE DO RUDAN MOTOR G R ADAPTÖR DIRECT INPUT MOTOR ADAPTOR WITH BRAKE MOTORFLANSCH MIT INTEGRIERTER BREMSE

A a ıdaki tabloda PD planet redüktörleri üzerine do rudan giri ED uygulamaları gösterilmi tir.

The following table shows how to apply direct inputs ED on PD planetary gear units.

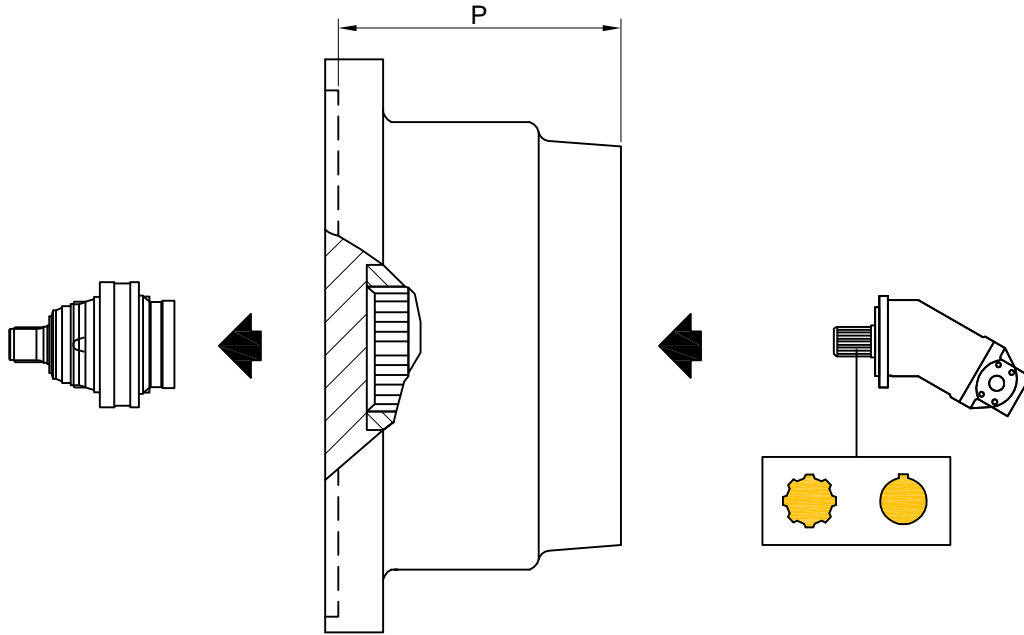
Die nachfolgende Tabelle zeigt die Anbaumöglichkeiten des ED-Antriebs an die Getriebe der Serie PD.



			
	MG		MG
PD 101	1-2-3-4	PD 123	4
PD 103	1-2-3-4	PD 125	—
PD 105	2-3-4	PD 127	—
PD 107	2-3-4	PD 129	5
PD 109	3-4	PD 131	5
PD 111	3-4	PD 133	5
PD 113	3-4	PD 135	—
PD 115	4	PD 137	—
PD 117	4	PD 139	—
PD 119	4	PD 141	—
PD 121	4		



N.B.: 1-2-3-4-5 numaralı planet di li redüktör kademelerine bakınız.

N.B.: Numbers 1-2-3-4-5 refer to the number of stages of the planetary gear unit.

N.B.: Die Ziffern 1-2-3-4-5 geben die Anzahl der Getriebestufen an.



	MG		
		P	Kod / Code Bestell
MG SAE A 2-4 F 16/32 DP 9TH		62	1803.200.001
MG SAE A 2-4 F 16/32 DP 13TH		62	1803.200.002
MG SAE A 2-4 F 12/24 DP 14TH		78	1803.200.003
MG SAE A 2-4 F 12/24 DP 14TH		78	1803.200.004
MG SAE A 2-4 F 1" 6B		62	1803.200.005
MG SAE A 2-4 F 1" 6B		78	1803.200.006
MG SAE A 2-4 F 25x22 DIN 5482		62	1803.200.007

	MG		
		P	Kod / Code Bestell
MG SAE A 2-4 F D. 19.5 CH 4.8		62	1803.200.010
MG SAE A 2-4 F D. 25 CH 8		62	1803.200.011
MG SAE A 2-4 F D. 25.4 CH 6.35		78	1803.200.012
MG SAE A 2-4 F D. 25.4 CH 6.35		78	1803.200.013
MG SAE A 2-4 F D. 31.75 CH 7.96		62	1803.200.014
MG SAE A 2-4 F D. 31.75 CH 7.96		78	1803.200.015
MG SAE A 2-4 F D. 32 CH 10		62	1803.200.016

# FREN LE DO RUDAN MOTOR G R ADAPTÖR DIRECT INPUT MOTOR ADAPTOR WITH BRAKE MOTORFLANSCH MIT INTEGRIERTER BREMSE



A a ıdaki tabloda PD planet redüktörleri üzerine do rudan giri MGF, PDA planet redüktörleri üzerine do rudan giri MF uygulamaları gösterilmi tir.

The following tables show how to apply direct inputs MGF, MF on PD, PDA planetary gear units.

Die nachfolgenden Tabellen zeigen die Anbaumöglichkeiten der MF- und MGF-Antriebe an die Getriebe der Serien PD und PDA.

	MGF-MF
PD 101	1-2-3-4
PD 103	1-2-3-4
PD 105	2-3-4
PD 107	2-3-4
PD 109	3-4
PD 111	3-4
PD 113	3-4
PD 115	4
PD 117	4
PD 119	4
PD 121	4

	MGF-MF
PD 123	4
PD 125	-
PD 127	-
PD 129	5
PD 131	5
PD 133	5
PD 135	-
PD 137	-
PD 139	-
PD 141	-

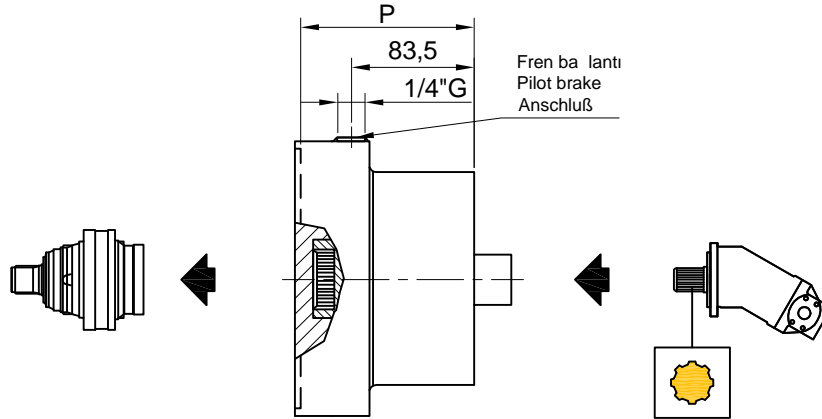
	MF
PDA 101	2-3-4
PDA 103	2-3-4
PDA 105	2-3-4
PDA 107	2-3-4
PDA 109	2-3-4
PDA 111	2-3-4
PDA 113	2-3-4
PDA 115	3-4
PDA 117	3-4
PDA 119	3-4
PDA 121	4

	MF
PDA 123	4
PDA 125	4
PDA 127	4
PDA 129	5
PDA 131	5
PDA 133	5
PDA 135	5
PDA 137	-
PDA 139	-
PDA 141	-

N.B.: 1-2-3-4-5 numaralı planet di li redüktör kademelerine bakınız.

N.B.: Numbers 1-2-3-4-5 refer to the number of stages of the planetary gear unit.

N.B.: Die Ziffern 1-2-3-4-5 geben die Anzahl der Getriebestufen an.

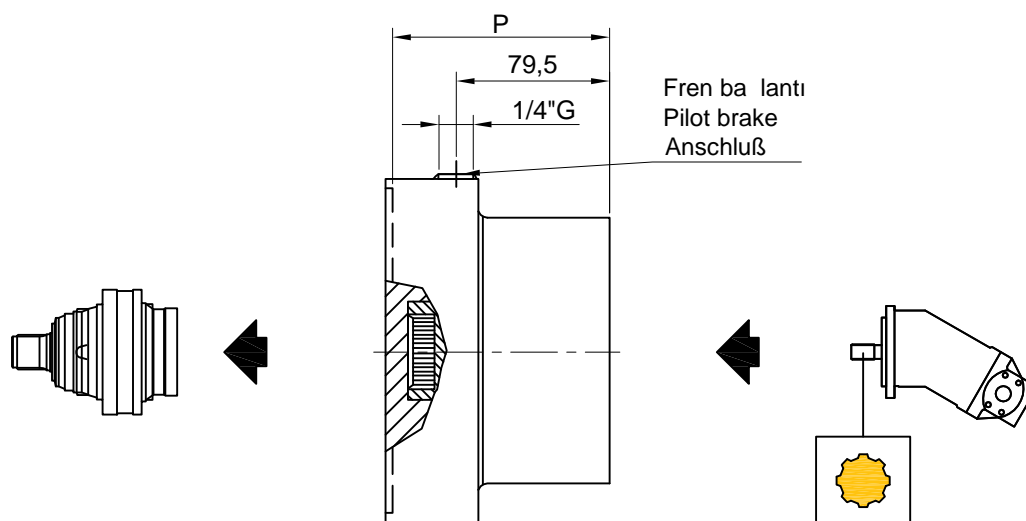


MGF								
	Cfs <sub>min</sub> [Nm]	Pa <sub>min</sub> [bar]	P	Kod / Code Bestell	P <sub>max</sub> [bar]	Ya / Oil [lt]		Kg
						V1	B5	
MGF 10 per/for GLC-OMSS-HPRC	110	11	118	1803.201.001	320	0,3	0,15	20
MGF 16 per/for GLC-OMSS-HPRC	160	15	118	1803.201.002				
MGF 20 per/for GLC-OMSS-HPRC	220	21	118	1803.201.003				
MGF 25 per/for GLC-OMSS-HPRC	260	15	118	1803.201.004				
MGF 35 per/for GLC-OMSS-HPRC	360	15	118	1803.201.005				
MGF 45 per/for GLC-OMSS-HPRC	470	21	118	1803.201.006				
MGF 55 per/for GLC-OMSS-HPRC	600	25	118	1803.201.007				

MGF								
	Cfs <sub>min</sub> [Nm]	Pa <sub>min</sub> [bar]	P	Kod / Code Bestell	[bar]	Ya / Oil [lt]		Kg
						V1	B5	
MGF 10 per/for EATON 2000 BEARINGLESS	110	11	118	1803.202.001	320	0,3	0,15	20
MGF 16 per/for EATON 2000 BEARINGLESS	160	15	118	1803.202.002				
MGF 20 per/for EATON 2000 BEARINGLESS	220	21	118	1803.202.003				
MGF 25 per/for EATON 2000 BEARINGLESS	260	15	118	1803.202.004				
MGF 35 per/for EATON 2000 BEARINGLESS	360	15	118	1803.202.005				
MGF 45 per/for EATON 2000 BEARINGLESS	470	21	118	1803.202.006				
MGF 55 per/for EATON 2000 BEARINGLESS	600	25	118	1803.202.007				



# FREN LE DO RUDAN MOTOR G R ADAPTÖR DIRECT INPUT MOTOR ADAPTOR WITH BRAKE MOTORFLANSCH MIT INTEGRIERTER BREMSE

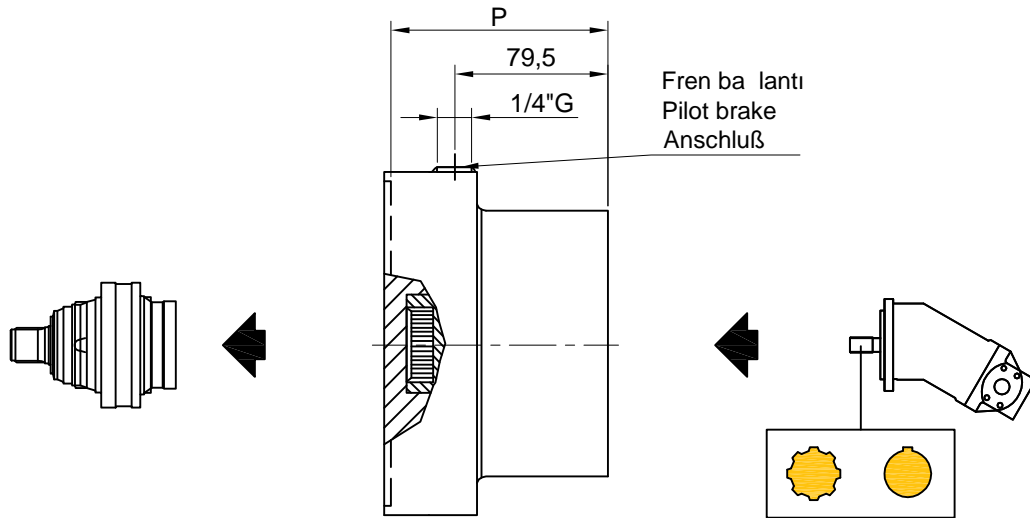


MGF								
Cfs <sub>min</sub> [Nm]	Pa <sub>min</sub> [bar]	P	Kod / Code Bestell	P <sub>max</sub> [bar]	Ya / Oil [lt]		Kg	
					V1	B5		
MGF 10 SAE A 2-4 F 16/32 DP 9TH	110	11	114	1803.203.001	320	0,3	0,15	20
MGF 16 SAE A 2-4 F 16/32 DP 9TH	160	15	114	1803.203.002				
MGF 20 SAE A 2-4 F 16/32 DP 9TH	220	21	114	1803.203.003				
MGF 25 SAE A 2-4 F 16/32 DP 9TH	260	15	114	1803.203.004				
MGF 25 SAE A 2-4 F 16/32 DP 9TH	360	15	114	1803.203.005				
MGF 45 SAE A 2-4 F 16/32 DP 9TH	470	21	114	1803.203.006				
MGF 55 SAE A 2-4 F 16/32 DP 9TH	600	25	114	1803.203.007				

MGF								
Cfs <sub>min</sub> [Nm]	Pa <sub>min</sub> [bar]	P	Kod / Code Bestell	P <sub>max</sub> [bar]	Ya / Oil [lt]		Kg	
					V1	B5		
MGF 10 SAE A 2-4 F 16/32 DP 13TH	110	11	114	1803.204.001	320	0,3	0,15	20
MGF 16 SAE A 2-4 F 16/32 DP 13TH	160	15	114	1803.204.002				
MGF 20 SAE A 2-4 F 16/32 DP 13TH	220	21	114	1803.204.003				
MGF 25 SAE A 2-4 F 16/32 DP 13TH	260	15	114	1803.204.004				
MGF 35 SAE A 2-4 F 16/32 DP 13TH	360	15	114	1803.204.005				
MGF 45 SAE A 2-4 F 16/32 DP 13TH	470	21	114	1803.204.006				
MGF 55 SAE A 2-4 F 16/32 DP 13TH	600	25	114	1803.204.007				

MGF								
Cfs <sub>min</sub> [Nm]	Pa <sub>min</sub> [bar]	P	Kod / Code Bestell	P <sub>max</sub> [bar]	Ya / Oil [lt]		Kg	
					V1	B5		
MGF 10 SAE A 2-4 F 12/24 DP 14TH	110	11	118	1803.205.001	320	0,3	0,15	20
MGF 16 SAE A 2-4 F 12/24 DP 14TH	160	15	118	1803.205.002				
MGF 20 SAE A 2-4 F 12/24 DP 14TH	220	21	118	1803.205.003				
MGF 25 SAE A 2-4 F 12/24 DP 14TH	260	15	118	1803.205.004				
MGF 35 SAE A 2-4 F 12/24 DP 14TH	360	15	118	1803.205.005				
MGF 45 SAE A 2-4 F 12/24 DP 14TH	470	21	118	1803.205.006				
MGF 55 SAE A 2-4 F 12/24 DP 14TH	600	25	118	1803.205.007				

**FREN LE DO RUDAN MOTOR G R ADAPTÖR  
DIRECT INPUT MOTOR ADAPTOR WITH BRAKE  
MOTORFLANSCH MIT INTEGRIERTER BREMSE**



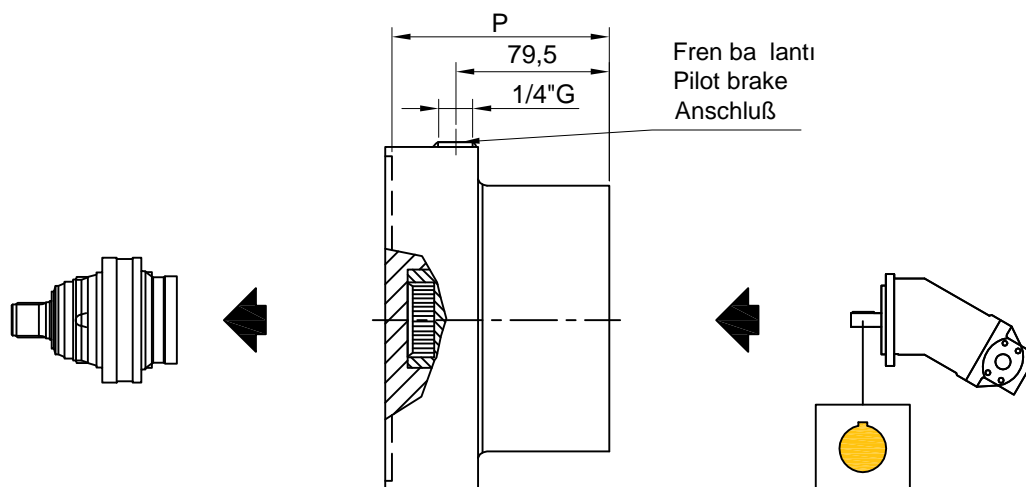
MGF								
Icon	Cfs <sub>min</sub> [Nm]	Pa <sub>min</sub> [bar]	P	Kod / Code Bestell	P <sub>max</sub> [bar]	Ya / Oil [lt]		Kg
						V1	B5	
MGF 10 SAE A 2-4 F 1" 6B	110	11	114	1803.206.001	320	0,3	0,15	20
MGF 16 SAE A 2-4 F 1" 6B	160	15	114	1803.206.002				
MGF 20 SAE A 2-4 F 1" 6B	220	21	114	1803.206.003				
MGF 25 SAE A 2-4 F 1" 6B	260	15	114	1803.206.004				
MGF 35 SAE A 2-4 F 1" 6B	360	15	114	1803.206.005				
MGF 45 SAE A 2-4 F 1" 6B	470	21	114	1803.206.006				
MGF 55 SAE A 2-4 F 1" 6B	600	25	114	1803.206.007				

MGF								
Icon	Cfs <sub>min</sub> [Nm]	Pa <sub>min</sub> [bar]	P	Kod / Code Bestell	P <sub>max</sub> [bar]	Ya / Oil [lt]		Kg
						V1	B5	
MGF 10 SAE A 2-4 F D. 25 CH 8	110	11	114	1803.207.000	320	0,3	0,15	20
MGF 16 SAE A 2-4 F D. 25 CH 8	160	15	114					
MGF 20 SAE A 2-4 F D. 25 CH 8	220	21	114					
MGF 25 SAE A 2-4 F D. 25 CH 8	260	15	114					
MGF 35 SAE A 2-4 F D. 25 CH 8	360	15	114					
MGF 45 SAE A 2-4 F D. 25 CH 8	470	21	114					
MGF 55 SAE A 2-4 F D. 25 CH 8	600	25	114					

MGF								
Icon	Cfs <sub>min</sub> [Nm]	Pa <sub>min</sub> [bar]	P	Kod / Code Bestell	P <sub>max</sub> [bar]	Ya / Oil [lt]		Kg
						V1	B5	
MGF 10 SAE A 2-4 F D. 25.4 CH 6.35	110	11	114	1803.208.001	320	0,3	0,15	20
MGF 16 SAE A 2-4 F D. 25.4 CH 6.35	160	15	114	1803.208.002				
MGF 20 SAE A 2-4 F D. 25.4 CH 6.35	220	21	114	1803.208.003				
MGF 25 SAE A 2-4 F D. 25.4 CH 6.35	260	15	114	1803.208.004				
MGF 35 SAE A 2-4 F D. 25.4 CH 6.35	360	15	114	1803.208.005				
MGF 45 SAE A 2-4 F D. 25.4 CH 6.35	470	21	114	1803.208.006				
MGF 55 SAE A 2-4 F D. 25.4 CH 6.35	600	25	114	1803.208.007				



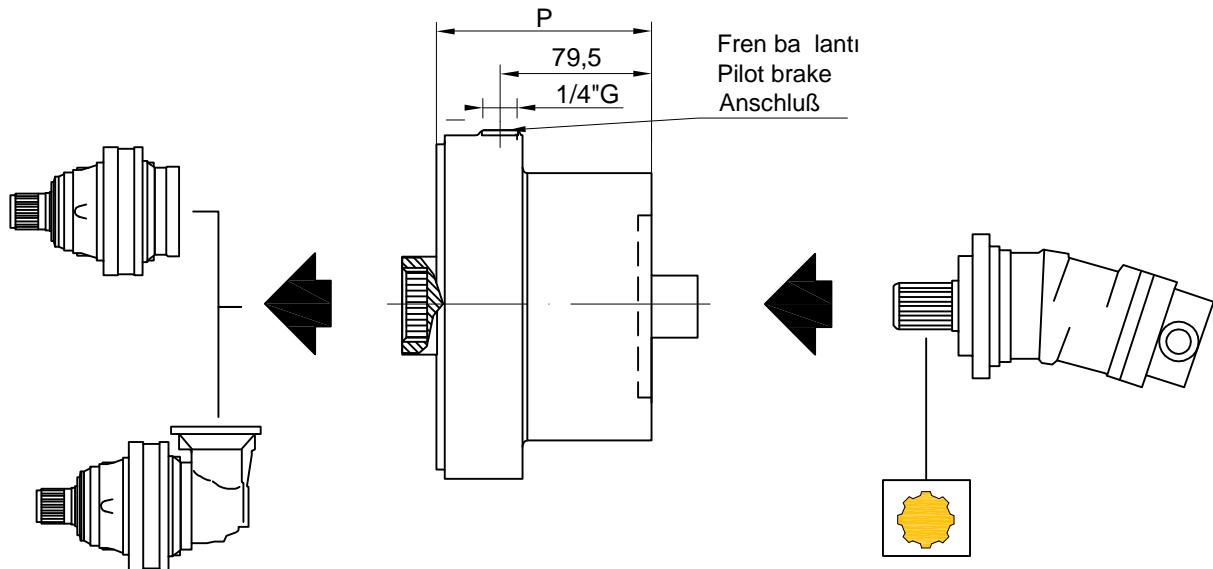
# FREN LE DO RUDAN MOTOR G R ADAPTÖR DIRECT INPUT MOTOR ADAPTOR WITH BRAKE MOTORFLANSCH MIT INTEGRIERTER BREMSE



MGF								
Cfs <sub>min</sub> [Nm]	Pa <sub>min</sub> [bar]	P	Kod / Code Bestell	P <sub>max</sub> [bar]	Ya / Oil [lt]		Kg	
					V1	B5		
MGF 10 SAE A 2-4 F D. 31.75 CH 7.96	110	11	114	1803.209.001	320	0,3	0,15	20
MGF 16 SAE A 2-4 F D. 31.75 CH 7.96	160	15	114	1803.209.002				
MGF 20 SAE A 2-4 F D. 31.75 CH 7.96	220	21	114	1803.209.003				
MGF 25 SAE A 2-4 F D. 31.75 CH 7.96	260	15	114	1803.209.004				
MGF 35 SAE A 2-4 F D. 31.75 CH 7.96	360	15	114	1803.209.005				
MGF 45 SAE A 2-4 F D. 31.75 CH 7.96	470	21	114	1803.209.006				
MGF 55 SAE A 2-4 F D. 31.75 CH 7.96	600	25	114	1803.209.007				

MGF								
Cfs <sub>min</sub> [Nm]	Pa <sub>min</sub> [bar]	P	Kod / Code Bestell	P <sub>max</sub> [bar]	Ya / Oil [lt]		Kg	
					V1	B5		
MGF 10 SAE A 2-4 F D. 32 CH 10	110	11	114	1803.210.001	320	0,3	0,15	20
MGF 16 SAE A 2-4 F D. 32 CH 10	160	15	114	1803.210.002				
MGF 20 SAE A 2-4 F D. 32 CH 10	220	21	114	1803.210.003				
MGF 25 SAE A 2-4 F D. 32 CH 10	260	15	114	1803.210.004				
MGF 35 SAE A 2-4 F D. 32 CH 10	360	15	114	1803.210.005				
MGF 45 SAE A 2-4 F D. 32 CH 10	470	21	114	1803.210.006				
MGF 55 SAE A 2-4 F D. 32 CH 10	600	25	114	1803.210.007				

**FREN LE DO RUDAN MOTOR G R ADAPTÖR  
DIRECT INPUT MOTOR ADAPTOR WITH BRAKE  
MOTORFLANSCH MIT INTEGRIERTER BREMSE**



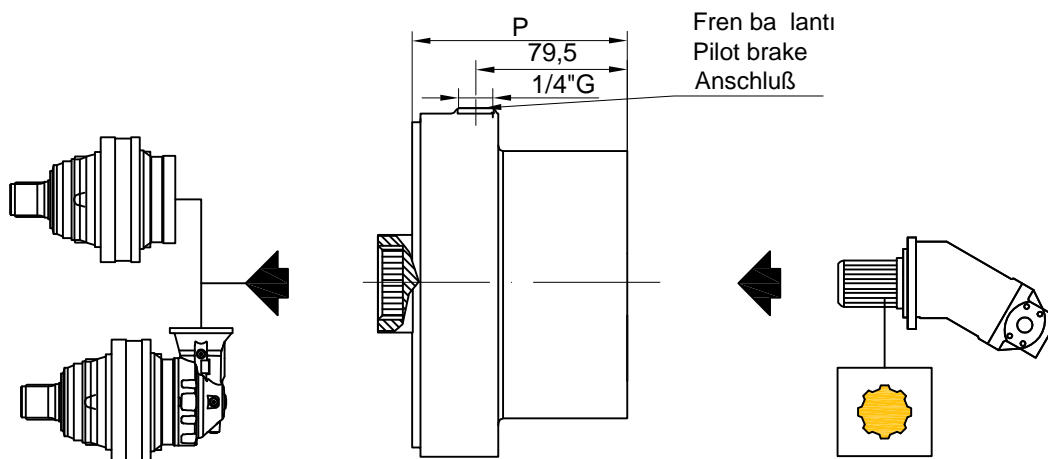
MF								
	Cfs <sub>min</sub> [Nm]	Pa <sub>min</sub> [bar]	P	Kod / Code Bestell	P <sub>max</sub> [bar]	Ya / Oil [lt]		
						V1	B5	
MF 10 per/for GLC-OMSS-HPRC	110	11	118	1804.301.001	320	0,3	0,15	20
MF 16 per/for GLC-OMSS-HPRC	160	15	118	1804.301.002				
MF 20 per/for GLC-OMSS-HPRC	220	21	118	1804.301.003				
MF 25 per/for GLC-OMSS-HPRC	260	15	118	1804.301.004				
MF 35 per/for GLC-OMSS-HPRC	360	15	118	1804.301.005				
MF 45 per/for GLC-OMSS-HPRC	470	21	118	1804.301.006				
MF 55 per/for GLC-OMSS-HPRC	600	25	118	1804.301.007				


MF								
	Cfs <sub>min</sub> [Nm]	Pa <sub>min</sub> [bar]	P	Kod / Code Bestell	P <sub>max</sub> [bar]	Ya / Oil [lt]		Kg
						V1	B5	
MF 10 per/for EATON 2000 BEARINGLESS	110	11	118	1804.302.001	320	0,3	0,15	20
MF 16 per/for EATON 2000 BEARINGLESS	160	15	118	1804.302.002				
MF 20 per/for EATON 2000 BEARINGLESS	220	21	118	1804.302.003				
MF 25 per/for EATON 2000 BEARINGLESS	260	15	118	1804.302.004				
MF 35 per/for EATON 2000 BEARINGLESS	360	15	118	1804.302.005				
MF 45 per/for EATON 2000 BEARINGLESS	470	21	118	1804.302.006				
MF 55 per/for EATON 2000 BEARINGLESS	600	25	118	1804.302.007				







## FREN LE DO RUDAN MOTOR G R ADAPTÖR DIRECT INPUT MOTOR ADAPTOR WITH BRAKE MOTORFLANSCH MIT INTEGRIERTER BREMSE

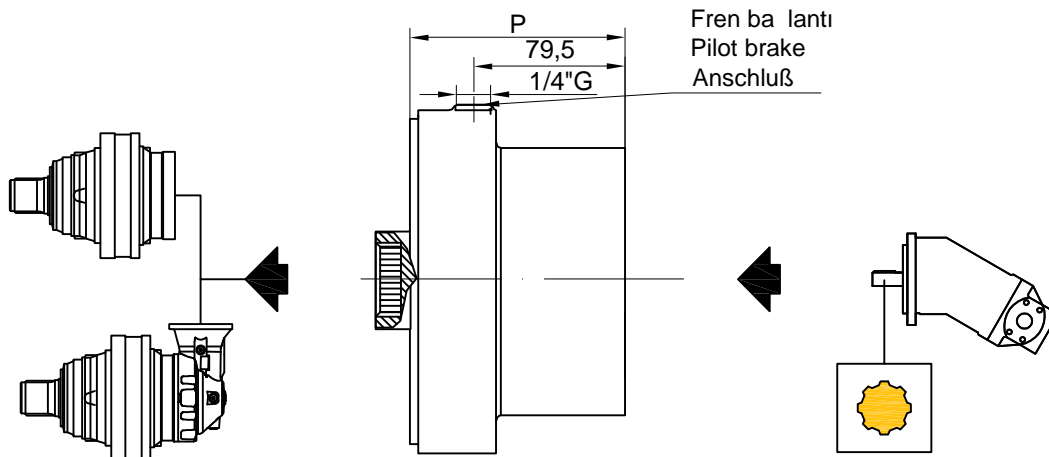




<b>MF</b>								
	Cfs <sub>min</sub> [Nm]	Pa <sub>min</sub> [bar]	P	Kod / Code Bestell	P <sub>max</sub> [bar]	Ya / Oil [lt]		Kg
						V1	B5	
MF 10 SAE A 2-4 F 16/32 DP 9TH	110	11	114	1804.303.001	320	0,3	0,15	20
MF 16 SAE A 2-4 F 16/32 DP 9TH	160	15	114	1804.303.002				
MF 20 SAE A 2-4 F 16/32 DP 9TH	220	21	114	1804.303.003				
MF 25 SAE A 2-4 F 16/32 DP 9TH	260	15	114	1804.303.004				
MF 35 SAE A 2-4 F 16/32 DP 9TH	360	15	114	1804.303.005				
MF 45 SAE A 2-4 F 16/32 DP 9TH	470	21	114	1804.303.006				
MF 55 SAE A 2-4 F 16/32 DP 9TH	600	25	114	1804.303.007				

<b>MF</b>								
	Cfs <sub>min</sub> [Nm]	Pa <sub>min</sub> [bar]	P	Kod / Code Bestell	P <sub>max</sub> [bar]	Ya / Oil [lt]		Kg
						V1	B5	
MF 10 SAE A 2-4 F 16/32 DP 13TH	110	11	114	1804.304.001	320	0,3	0,15	20
MF 16 SAE A 2-4 F 16/32 DP 13TH	160	15	114	1804.304.002				
MF 20 SAE A 2-4 F 16/32 DP 13TH	220	21	114	1804.304.003				
MF 25 SAE A 2-4 F 16/32 DP 13TH	260	15	114	1804.304.004				
MF 35 SAE A 2-4 F 16/32 DP 13TH	360	15	114	1804.304.005				
MF 45 SAE A 2-4 F 16/32 DP 13TH	470	21	114	1804.304.006				
MF 55 SAE A 2-4 F 16/32 DP 13TH	600	25	114	1804.304.007				

<b>MF</b>								
	Cfs <sub>min</sub> [Nm]	Pa <sub>min</sub> [bar]	P	Kod / Code Bestell	P <sub>max</sub> [bar]	Ya / Oil [lt]		Kg
						V1	B5	
MF 10 SAE A 2-4 F 12/24 DP 14TH	110	11	114	1804.305.001	320	0,3	0,15	20
MF 16 SAE A 2-4 F 12/24 DP 14TH	160	15	114	1804.305.002				
MF 20 SAE A 2-4 F 12/24 DP 14TH	220	21	114	1804.305.003				
MF 25 SAE A 2-4 F 12/24 DP 14TH	260	15	114	1804.305.004				
MF 35 SAE A 2-4 F 12/24 DP 14TH	360	15	114	1804.305.005				
MF 45 SAE A 2-4 F 12/24 DP 14TH	470	21	114	1804.305.006				
MF 55 SAE A 2-4 F 12/24 DP 14TH	600	25	114	1804.305.007				

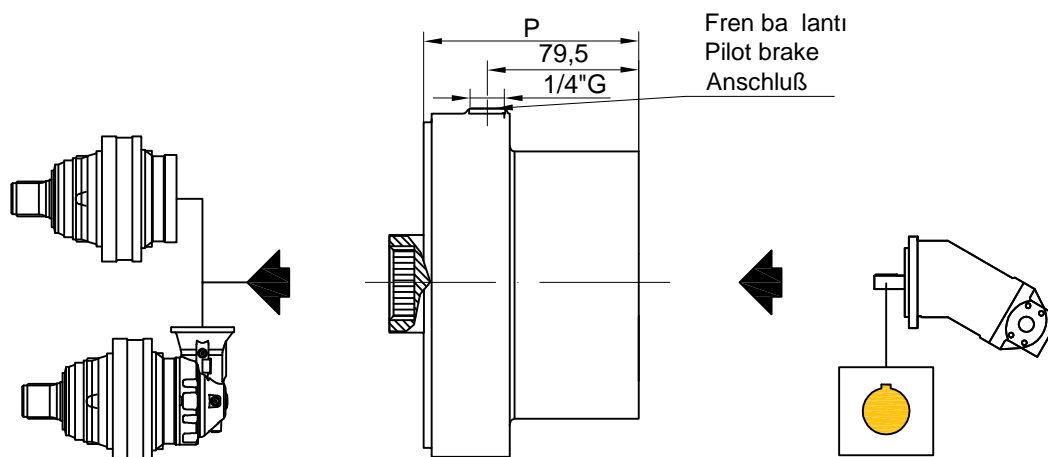
**FREN LE DO RUDAN MOTOR G R ADAPTÖR  
DIRECT INPUT MOTOR ADAPTOR WITH BRAKE  
MOTORFLANSCH MIT INTEGRIERTER BREMSE**







MF									
		Cfs <sub>min</sub> [Nm]	Pa <sub>min</sub> [bar]	P	Kod / Code Bestell	P <sub>max</sub> [bar]	Ya / Oil [lt]		Kg
							V1	B5	
		110	11	114	1804.323.001	320	0,3	0,15	20
		160	15	114	1804.323.002				
		220	21	114	1804.323.003				
		260	15	114	1804.323.004				
		360	15	114	1804.323.005				
		470	21	114	1804.323.006				
		600	25	114	1804.323.007				





## FREN LE DO RUDAN MOTOR G R ADAPTÖR DIRECT INPUT MOTOR ADAPTOR WITH BRAKE MOTORFLANSCH MIT INTEGRIERTER BREMSE

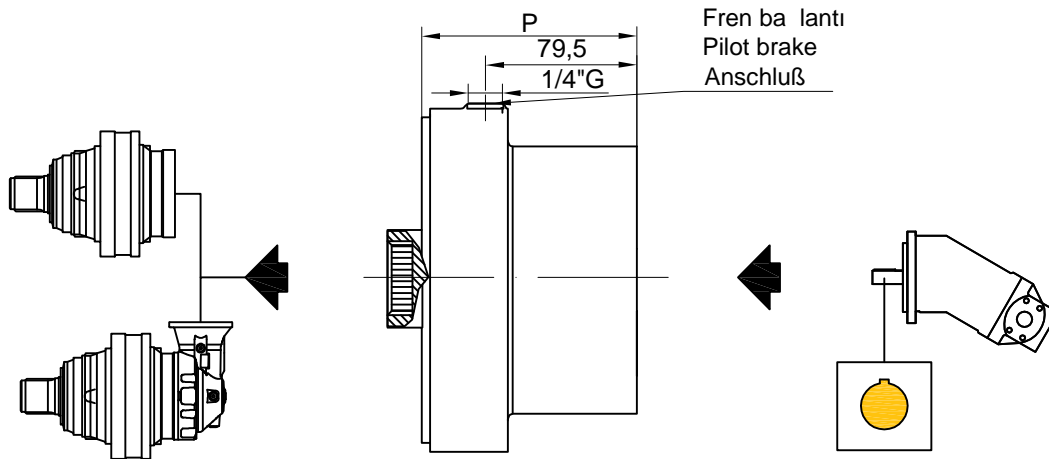



MF								
 	Cfs <sub>min</sub> [Nm]	Pa <sub>min</sub> [bar]	P	Kod / Code Bestell	P <sub>max</sub> [bar]	Ya / Oil [lt]		Kg
						V1	B5	
MF 10 SAE A 2-4 F D. 25 CH 8	110	11	114	1804.320.001	320	0,3	0,15	20
MF 16 SAE A 2-4 F D. 25 CH 8	160	15	114	1804.320.002				
MF 20 SAE A 2-4 F D. 25 CH 8	220	21	114	1804.320.003				
MF 25 SAE A 2-4 F D. 25 CH 8	260	15	114	1804.320.004				
MF 35 SAE A 2-4 F D. 25 CH 8	360	15	114	1804.320.005				
MF 45 SAE A 2-4 F D. 25 CH 8	470	21	114	1804.320.006				
MF 55 SAE A 2-4 F D. 25 CH 8	600	25	114	1804.320.007				

MF								
 	Cfs <sub>min</sub> [Nm]	Pa <sub>min</sub> [bar]	P	Kod / Code Bestell	P <sub>max</sub> [bar]	Ya / Oil [lt]		Kg
						V1	B5	
MF 10 SAE A 2-4 F D. 25.4 CH 6.35	110	11	114	1804.321.001	320	0,3	0,15	20
MF 16 SAE A 2-4 F D. 25.4 CH 6.35	160	15	114	1804.321.002				
MF 20 SAE A 2-4 F D. 25.4 CH 6.35	220	21	114	1804.321.003				
MF 25 SAE A 2-4 F D. 25.4 CH 6.35	260	15	114	1804.321.004				
MF 35 SAE A 2-4 F D. 25.4 CH 6.35	360	15	114	1804.321.005				
MF 45 SAE A 2-4 F D. 25.4 CH 6.35	470	21	114	1804.321.006				
MF 55 SAE A 2-4 F D. 25.4 CH 6.35	600	25	114	1804.321.007				

MF								
 	Cfs <sub>min</sub> [Nm]	Pa <sub>min</sub> [bar]	P	Kod / Code Bestell	P <sub>max</sub> [bar]	Ya / Oil [lt]		Kg
						V1	B5	
MF 10 SAE A 2-4 F D. 31.75 CH 7.96	110	11	114	1804.322.001	320	0,3	0,15	20
MF 16 SAE A 2-4 F D. 31.75 CH 7.96	160	15	114	1804.322.002				
MF 20 SAE A 2-4 F D. 31.75 CH 7.96	220	21	114	1804.322.003				
MF 25 SAE A 2-4 F D. 31.75 CH 7.96	260	15	114	1804.322.004				
MF 35 SAE A 2-4 F D. 31.75 CH 7.96	360	15	114	1804.322.005				
MF 45 SAE A 2-4 F D. 31.75 CH 7.96	470	21	114	1804.322.006				
MF 55 SAE A 2-4 F D. 31.75 CH 7.96	600	25	114	1804.322.007				

**FREN LE DO RUDAN MOTOR G R ADAPTÖR  
DIRECT INPUT MOTOR ADAPTOR WITH BRAKE  
MOTORFLANSCH MIT INTEGRIERTER BREMSE**



MF								
	Cfs <sub>min</sub> [Nm]	Pa <sub>min</sub> [bar]	P	Kod / Code Bestell	P <sub>max</sub> [bar]	Ya / Oil [lt]		Kg
						V1	B5	
MF 10 SAE A 2-4 F D. 32 CH 10	110	11	114	1804.323.001	320	0,3	0,15	20
MF 16 SAE A 2-4 F D. 32 CH 10	160	15	114	1804.323.002				
MF 20 SAE A 2-4 F D. 32 CH 10	220	21	114	1804.323.003				
MF 25 SAE A 2-4 F D. 32 CH 10	260	15	114	1804.323.004				
MF 35 SAE A 2-4 F D. 32 CH 10	360	15	114	1804.323.005				
MF 45 SAE A 2-4 F D. 32 CH 10	470	21	114	1804.323.006				
MF 55 SAE A 2-4 F D. 32 CH 10	600	25	114	1804.323.007				